

Furniture

Fittings



TEAMMART Sdn. Bhd.

HAU2S[®]

Furniture Fittings

blum[®]

Furniture Fittings

team[®]

PVC Edge Banding

Founded in year 1999, Teammart has been a premier supplier in furniture fittings and kitchen accessories for more than a decades. Ranges of brands such as **HAU2S**[®] & **team**[®] is committed to provide full customer satisfaction with distinctive product quality and service in all aspects of business.

We has been providing a comprehensive ranges of cabinetry hardware specialized in motion technologies and space saving solutions. We provide infinite possibilities in design solutions which cater for all needs. With innovative design and good product quality, we have earned good reputation in the market.

Through our continuous product research and development, we have created a perfect blend of ergonomic and functional kitchen with many accessories. We make your dream kitchen a very comfortable place to live in. With variety of product choices, we will help you through your design. It is our expertise in exploring your imagination and making your dream kitchen into reality!

Our mission is to provide you with modern kitchen storage system with incredible range of design options. We help you to achieve the look and feel of kitchen to your best desire and preferences. Whether you are building or remodeling an existing space, we are your best partner.

Our vision is to be an industry leading brand in providing stylist, functional & durable furniture hardware in Malaysia & surrounding regions. With ample of stocking quantity, dedicated sales team, efficient technical support and logistic delivery, we will continue to grow and benefited our supportive customer.

CONTENT

SLIM BOX SERIES

. Drawer Set	Pg 4 ~ 7
. Inner Drawer Set	Pg 8 ~ 10
. Add On Accessories for SLIM BOX Series	Pg 11
. Complementary Products & Accessories For Slim Box Series	Pg 12

BENNO SOFT CLOSE SERIES

. Drawer Set	Pg 13 - 17
. Inner Drawer Set	Pg 18 - 21
. Complementary Products & Accessories For Benno Soft Close Series	Pg 22 ~ 23
. Undermount Runner	Pg 24
. Full Extension Slide	Pg 24

DRAWER ORGANIZER SERIES

. Stainless Steel Drawer Organizer	Pg 25
. Cutlery Tray	Pg 26 ~ 28

PREMIUM STORAGE SERIES

. Aluminium 3 Side Pull Out Basket	Pg 30
. Aluminium 3 Side Multifunction Pull Out Basket	Pg 31
. Aluminium 4 Side Pull Out Basket	Pg 32
. Aluminium 4 Side Multifunction Pull Out Basket	Pg 33
. Utility 2 Layers Pull Out Basket	Pg 34
. Aluminium Glass Base Unit Deluxe Larder	Pg 35
. Aluminium Utility 2 Layers Pull Out Basket	Pg 36
. Aluminium Utility 3 Layers Pull Out Basket	Pg 37
. Aluminium Glass Magic Corner	Pg 38
. Complete Out Magic Corner	Pg 39
. Aluminium Glass Tall Larder	Pg 40
. Aluminium Side Mounted Glass Tall Larder	Pg 41
. Aluminium Glass Deluxe Larder	Pg 42
. Magic Collector Aluminium Glass Mental Deficiency Functions	Pg 43
. Electric Magic Collector Aluminium Glass	Pg 44
. Electric Lift Up Aluminium & Glass Basket	Pg 45
. Aluminium 3 Side Pull Out Basket (A+B)	Pg 46
. Aluminium 3 Side Pull Out Basket	Pg 47
. Aluminium Utility 3 Layers Pull Out Basket	Pg 48
. Aluminium Utility 2 Layers Pull Out Basket	Pg 49
. Dark Grey Aluminium Swing Tray 900mm	Pg 50
. Aluminium Deluxe Larder	Pg 51
. Aluminium Tall Larder	Pg 52
. Aluminium Side Mounted Tall Larder	Pg 53

CLASSIC STORAGE SERIES

. Pull Out Basket	Pg 54
-------------------	-------

. Bowl And Plate Pull Out Basket	Pg 55
. Soft Close Pull Out Basket	Pg 56
. Soft Close Bowl And Plate Pull Out Basket	Pg 57
. 3 Layer Utility Basket	Pg 58
. 2 Layer Utility Basket	Pg 59
. 180° Swivel Basket Kit	Pg 60
. 270° Pie-Cut Swivel Basket Kit	Pg 61
. Soft Close Swing Tray	Pg 62 ~ 63
. Soft Close Small Side Mounted Kit	Pg 64
. Space Genie Pull Out Basket	Pg 65
. Cleaning Material Pull Out Basket	Pg 66
. Soft Close Cleaning Material Basket	Pg 67
. Soft Close Concord Corner Kit	Pg 68
. Soft Close Tall Larder	Pg 70
. Wire Deluxe Larder	Pg 71
. Roller Shutter Aluminium Champagne	Pg 72
. Electric Louvered Glass Door	Pg 73
. Wall Unit Inoxmatic Dish Rack	Pg 74
. DR201-PB Dish Rack	Pg 74
. Hidden Storage Box (Grey)	Pg 75
. Stainless Steel Free Standing Dish Rack	Pg 75
. Waste Bin	Pg 76 ~ 77
. DIY Kitchen Railing	Pg 78
. Wine Glass Rack	Pg 78
. Gas Tank Holder c/w Soft Close Runner	Pg 78

LIGHTING SERIES

. Kitchen And Wardrobe Lighting	Pg 79 ~ 91
---------------------------------	------------

WARDROBE SERIES

. Wardrobe Storage	Pg 92 ~ 104
--------------------	-------------

FITTING ACCESSORIES

. Kitchen Fitting Accessories	Pg 105 ~ 122
-------------------------------	--------------

OPEN DOOR SYSTEM

. Open Door System (LAMP)	Pg 123 ~ 127
---------------------------	--------------

SLIDING DOOR SERIES

. Sliding Door	Pg 128 ~ 129
----------------	--------------

ALUMINIUM DOOR SERIES

. Aluminium Door	Pg 130 ~ 137
------------------	--------------

DOOR PANEL SERIES

. Acrylic Door Panel	Pg 138
----------------------	--------

EDGE BANDING SERIES

. Edge Banding	Pg 139
----------------	--------

*All the Conceptual photo, is for visual effect only

Slim Box Series



* All the measurement by millimeter (mm)

DS611 Slim Box (88mm)



Supplied with

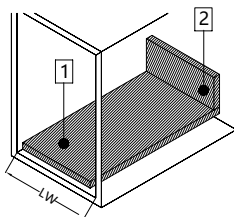


DS-TS/450X1GS
DS-TS/500X1GS

DS-GD/450D7
DS-GD/500D7

DSF-XM/611

DS-Q1/68CG



Technology pivot:
Bottom and Back Panel Measurement
16mm Panel

- 1** LW: Inside Cabinet Width
Bottom panel width=Inside Cabinet Width -75 ± 0.5
Bottom panel length=Runner length -10mm
- 2** Back panel height= **68mm**
Back panel width=Inside Cabinet Width -87 ± 0.5

Soft Closing

50,000
time cycle test

NOTE:
Please refer to pg12 for Complementary Products and Accessories
(Item Number S1, S4, S5 & S8)

Model	Description	Loading Capacity	Material	Finishing	Nominal Length	Min. Height	Unit Price
1019 611 450	DS611-450	30kg	Metal	Charcoal Grey	450	110	RM 125.00
1019 611 500	DS611-500	30kg	Metal	Charcoal Grey	500	110	RM 125.00
1119 611 500	DS611-500/50	50kg	Metal	Charcoal Grey	500	110	RM 145.00

DS612 Slim Box (171mm)



Supplied with



DS-TS/450X2GS
DS-TS/500X2GS



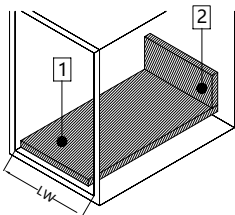
DS-GD/450D7
DS-GD/500D7



DSF-XM/612



DS-Q1/150CG



Technology pivot:
Bottom and Back Panel Measurement
16mm Density Panel

- 1 LW: Inside Cabinet Width
Bottom panel width=Inside Cabinet Width -75 ± 0.5
Bottom panel length=Runner length -10mm
- 2 Back panel height= **151mm**
Back panel width=Inside Cabinet Width -87 ± 0.5

Soft Closing

50,000
time cycle test

NOTE:

Please refer to pg12 for Complementary Products and Accessories
(Item number S2, S4, S6 & S9)

Model	Description	Loading Capacity	Material	Finishing	Nominal Length	Min. Height	Unit Price
1019 612 450	DS612-450	30kg	Metal	Charcoal Grey	450	192	RM 145.00
1019 612 500	DS612-500	30kg	Metal	Charcoal Grey	500	192	RM 145.00
1119 612 500	DS612-500/50	50kg	Metal	Charcoal Grey	500	192	RM 165.00

DS613 Slim Box (203mm)



Supplied with



DS-TS/450X3GS
DS-TS/500X3GS



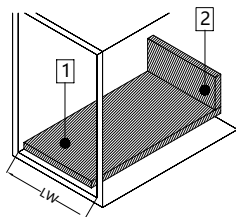
DS-GD/450D7
DS-GD/500D7



DSF-XM/613



DS-Q1/183CG



Technology pivot:
Bottom and Back Panel Measurement
16mm Panel

- 1 LW: Inside Cabinet Width
Bottom panel width=Inside Cabinet Width -75 ± 0.5
Bottom panel length=Runner length -10mm
- 2 Back panel height= **183mm**
Back panel width=Inside Cabinet Width -87 ± 0.5

Soft Closing

50,000
time cycle test

NOTE:

Please refer to pg12 for Complementary Products and Accessories
(Item number S3, S4, S7 & S10)

Model	Description	Loading Capacity	Material	Finishing	Nominal Length	Min. Height	Unit Price
1019 613 450	DS613-450	30kg	Metal	Charcoal Grey	450	225	RM 155.00
1019 613 500	DS613-500	30kg	Metal	Charcoal Grey	500	225	RM 155.00
1119 613 500	DS613-500/50	50kg	Metal	Charcoal Grey	500	225	RM 175.00

DS616 Slim Inner Box (Standard)



Supplied with



DS-TS/450X1GS
DS-TS/500X1GS



DS-GD/450D7
DS-GD/500D7



DSAQ311-549CG
DSAQ311-849CG
DSAQ311-1149CG



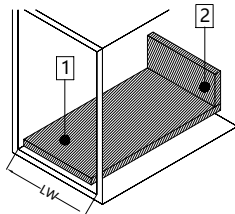
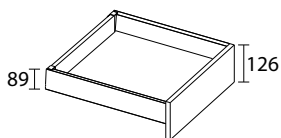
DS-Q1/68CG



DSF-XM/611



DSAQ301CG



Technology pivot:
Bottom and Back Panel Measurement
16mm Panel

- 1 LW: Inside Cabinet Width
Bottom panel width=Inside Cabinet Width -75 ± 0.5
- 2 Bottom panel length=Runner length -10mm
Back panel height= **68mm**
Back panel width=Inside Cabinet Width -87 ± 0.5

Soft Closing

50,000
time cycle test

NOTE:

Please refer to pg12 for Complementary Products and Accessories (Item number S1, S4, S5, S8, S11 & S14)

Model	Description	Loading Capacity	Material	Finishing	Nominal Length	Cabinet Width	Min. Height	Unit Price
1019 616 061	DS616-450X600CG	30kg	Metal	Charcoal Grey	450	600	126	RM 180.00
1019 616 062	DS616-500x600CG	30kg	Metal	Charcoal Grey	500	600	126	RM 180.00
1119 616 062	DS616-500x600CG/50	50kg	Metal	Charcoal Grey	500	600	126	RM 200.00
1019 616 091	DS616-450x900CG	30kg	Metal	Charcoal Grey	450	900	126	RM 202.00
1019 616 092	DS616-500x900CG	30kg	Metal	Charcoal Grey	500	900	126	RM 202.00
1119 616 092	DS616-500x900CG/50	50kg	Metal	Charcoal Grey	500	900	126	RM 222.00
1019 616 121	DS616-450x1200CG	30kg	Metal	Charcoal Grey	450	1200	126	RM 209.00
1019 616 122	DS616-500x1200CG	30kg	Metal	Charcoal Grey	500	1200	126	RM 209.00
1119 616 122	DS616-500x1200CG/50	50kg	Metal	Charcoal Grey	500	1200	126	RM 229.00

DS617 Slim High Inner Drawer (With Glass)



Supplied with



DS-TS/450X2GS
DS-TS/500X2GS



DS-GD/450D7
DS-GD/500D7



DSAQ311-549CG
DSAQ311-849CG



DSQ352-01-477CG
DSQ352-01-777CG



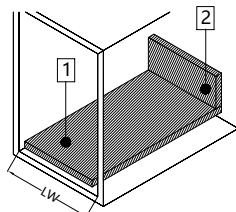
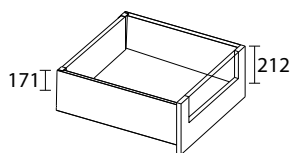
DS-QI/150CG



DSF-XM/612



DSAQ305CG



Technology pivot:
Bottom and Back Panel Measurement
16mm Panel

- 1 LW: Inside Cabinet Width
Bottom panel width=Inside Cabinet Width -75±0.5
Bottom panel length=Runner length -10mm
Back panel height= **151mm**
- 2 Back panel width=Inside Cabinet Width -87±0.5

Soft Closing

50,000
time cycle test

NOTE:

Please refer to pg12 for Complementary Products and Accessories (Item number S2, S4, S6, S9, S12, S14 & S15)

Model	Description	Loading Capacity	Material	Finishing	Nominal Length	Cabinet Width	Min. Height	Unit Price
1019 617 061	DS617-450X600CG	30kg	Metal	Charcoal Grey	450	600	212	RM 256.00
1019 617 062	DS617-500x600CG	30kg	Metal	Charcoal Grey	500	600	212	RM 256.00
1119 617 062	DS617-500x600GC/50	50kg	Metal	Charcoal Grey	500	600	212	RM 276.00
1019 617 091	DS617-450x900CG	30kg	Metal	Charcoal Grey	450	900	212	RM 295.00
1019 617 092	DS617-500x900CG	30kg	Metal	Charcoal Grey	500	900	212	RM 295.00
1119 617 092	DS617-500x900GC/50	50kg	Metal	Charcoal Grey	500	900	212	RM 315.00

DS618 Slim High Inner Drawer (With Rail)



Supplied with



DS-TS/450X2GS
DS-TS/500X2GS



DS-GD/450D7
DS-GD/500D7



DSAQ311-549CG
DSAQ311-849CG
DSAQ311-1149CG



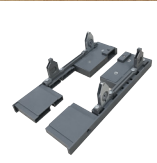
DSAQ305-03-477CG
DSAQ305-03-777CG
DSAQ305-03-1070CG



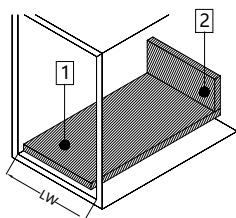
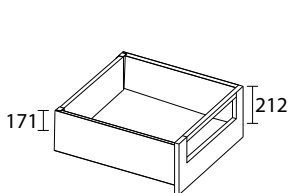
DS-Q1/150CG



DSF-XM/612



DSAQ315CG-N



Technology pivot:
Bottom and Back Panel Measurement
16mm Panel

- 1 LW: Inside Cabinet Width
Bottom panel width=Inside Cabinet Width -75 ± 0.5
Bottom panel length=Runner length -10mm
- 2 Back panel height= **151mm**
Back panel width=Inside Cabinet Width -87 ± 0.5

Soft Closing

50,000
time cycle test

NOTE:

Please refer to pg12 for Complementary Products and Accessories
(Item number S2, S4, S6, S9, S13, S14 & S16)

* All the measurement by millimeter (mm)

Model	Description	Loading Capacity	Material	Finishing	Nominal Length	Cabinet Width	Min. Height	Unit Price
1019 618 061	DS618-450X600CG	30kg	Metal	Charcoal Grey	450	600	212	RM 231.00
1019 618 062	DS618-500x600CG	30kg	Metal	Charcoal Grey	500	600	212	RM 231.00
1119 618 062	DS618-500x600GC/50	50kg	Metal	Charcoal Grey	500	600	212	RM 251.00
1019 618 091	DS618-450x900CG	30kg	Metal	Charcoal Grey	450	900	212	RM 258.00
1019 618 092	DS618-500x900CG	30kg	Metal	Charcoal Grey	500	900	212	RM 258.00
1119 618 092	DS618-500x900GC/50	50kg	Metal	Charcoal Grey	500	900	212	RM 278.00
1019 618 121	DS618-450x1200CG	30kg	Metal	Charcoal Grey	450	1200	212	RM 271.00
1019 618 122	DS618-500x1200CG	30kg	Metal	Charcoal Grey	500	1200	212	RM 271.00
1119 618 122	DS618-500x1200GC/50	50kg	Metal	Charcoal Grey	500	1200	212	RM 291.00

Add On Accessories for SLIM BOX Series



	Model	Description	Material	Width	Unit Price
	1019 001 060	DSCQ350-495 Horizontal Divider	Metal	478	RM 45.00
	1019 001 090	DSCQ350-795 Horizontal Divider	Metal	778	RM 65.00
	1019 001 120	DSCQ350-1095 Horizontal Divider	Metal	1078	RM 82.00

	Model	Description	Material	Depth	Unit Price
	1019 003 001	DSDQ90CG Vertical Divider	Metal	90	RM 15.00

	Model	Description	Material	Depth	Unit Price
	DSR/YMQ-450	Heighting Rail for Slim Drawer 450mm	Metal	450	RM 20.00
	DSR/YMQ-500	Heighting Rail for Slim Drawer 500mm	Metal	500	RM 20.00

* All the measurement by millimeter (mm)

Complementary Products & Accessories for Slim Box Series

No.	Image	Model	Description	Colour	Unit Price
S1		DS-TS/450X1GS	Side Panel And Cover Cap for Slim Box	Charcoal Grey	RM 60.00
		DS-TS/500X1GS			RM 60.00
S2		DS-TS/450X2GS	Side Panel And Cover Cap for Slim Box	Charcoal Grey	RM 70.00
		DS-TS/500X2GS			RM 70.00
S3		DS-TS/450X3GS	Side Panel And Cover Cap for Slim Box	Charcoal Grey	RM 80.00
		DS-TS/500X3GS			RM 80.00
S4		DS-GD/450D7	Drawer Slide For Slim Series	-	RM 75.00
		DS-GD/500D7			RM 75.00
S5		DSF-XM/611	Front Connector for Slim Drawer	-	RM 10.00
S6		DSF-XM/612	Front Connector for Slim Drawer	Charcoal Grey	RM 10.00
S7		DSF-XM/613	Front Connector for Slim Drawer	Charcoal Grey	RM 10.00
S8		DS-QI/68CG	Back Connector Left/Right	Charcoal Grey	RM 10.00
S9		DS-QI/150CG	Back Connector Left/Right	Charcoal Grey	RM 10.00
S10		DS-QI/183CG	Back Connector Left/Right	Charcoal Grey	RM 10.00
S11		1019 616 001	Front Panel Holder	Charcoal Grey	RM 13.00
S12		1019 617 001	High Front Panel Holder With Glass Cover	Charcoal Grey	RM 25.00
S13		1029 617 002	High Front Panel Holder with Rod Cover	Charcoal Grey	RM 26.00
S14		1019 616 002	DSAQ311-549CG	Charcoal Grey	RM 48.00
		1019 616 003	DSAQ311-849CG		RM 75.00
		1019 616 004	DSAQ311-1149CG		RM 83.00
S15		1019 617 007	DSQ352-01-477CG	-	RM 45.00
		1019 617 008	DSQ352-01-777CG		RM 62.00
S16		1019 618 001	DSAQ305-03-477CG	Charcoal Grey	RM 23.00
		1019 618 064	DSAQ305-03-777CG		RM 28.00
		1019 618 063	DSAQ305-03-1070CG		RM 53.00

* All the measurement by millimeter (mm)

DS301N Standard Drawer



Supplied with



DS-TS/450HF
DS-TS/500HF



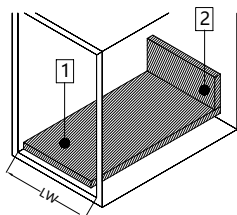
DS/30kg-450MM
DS/30kg-500MM
DS/50kg-500MM



DSF-M



DS-BC/68WH



Technology pivot:
Bottom and Back Panel Measurement
16mm Panel

- 1** LW: Inside Cabinet Width
Bottom panel width=Inside Cabinet Width -77 ± 0.5
- 2** Bottom panel length=Runner length -10mm
Back panel height= **68mm**
Back panel width=Inside Cabinet Width -87 ± 0.5



NOTE:

Please refer to pg22-23 for Complementary Products and Accessories (Item number B1, B2, B9 & B14)

Model	Description	Loading Capacity	Material	Finishing	Nominal Length	Min. Height	Unit Price
1025 301 450	DS301N-450WH	30kg	Metal	White	450	105	RM 120.00
1025 301 500	DS301N-500WH	30kg	Metal	White	500	105	RM 120.00
1125 301 500	DS301N-500WH/50	50kg	Metal	White	500	105	RM 135.00

* All the measurement by millimeter (mm)

DS302N High Drawer Single Gallery



Supplied with



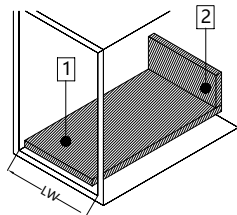
DS-TS/450HF
DS-TS/500HF

DS/30kg-450MM
DS/30kg-500MM
DS/50kg-500MM

DSR450W
DSR500W

DSF-M

DS-BC/142WH



Technology pivot:
Bottom and Back Panel Measurement
16mm Panel

- 1** LW: Inside Cabinet Width
Bottom panel width=Inside Cabinet Width -77±0.5
- 2** Bottom panel length=Runner length -10mm
Back panel height= **142mm**
Back panel width=Inside Cabinet Width -87±0.5



NOTE:
Please refer to pg22-23 for Complementary Products and Accessories
(Item number B1, B2, B5, B9 & B15)

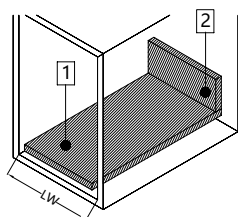
Model	Description	Loading Capacity	Material	Finishing	Nominal Length	Min. Height	Unit Price
1025 302 450	DS302N-450WH	30kg	Metal	White	450	182	RM 138.00
1025 302 500	DS302N-500WH	30kg	Metal	White	500	182	RM 138.00
1125 302 500	DS302N-500WH/50	50kg	Metal	White	500	182	RM 153.00

* All the measurement by millimeter (mm)

DS304N High Drawer Double Gallery



Supplied with



Technology pivot:
Bottom and Back Panel Measurement
16mm Panel

- 1** LW: Inside Cabinet Width
Bottom panel width=Inside Cabinet Width -77±0.5
- 2** Bottom panel length=Runner length -10mm
Back panel height= **185mm**
Back panel width=Inside Cabinet Width -87±0.5



NOTE:
Please refer to pg22-23 for Complementary Products and Accessories
(Item number B1, B2, B9, B17 & B19)

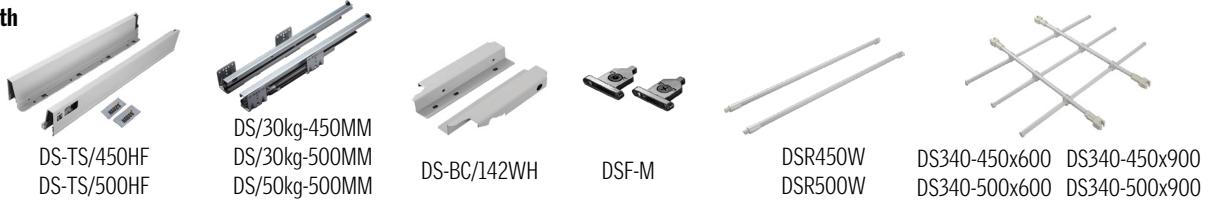
Model	Description	Loading Capacity	Material	Finishing	Nominal Length	Min. Height	Unit Price
1025 304 450	DS304N-450WH	30kg	Metal	White	450	223	RM 158.00
1025 304 500	DS304N-500WH	30kg	Metal	White	500	223	RM 158.00
1125 304 500	DS304N-500WH/50	50kg	Metal	White	500	223	RM 173.00

* All the measurement by millimeter (mm)

DS302 Series B Railing Divider Set



Supplied with



DS-TS/450HF
DS-TS/500HF

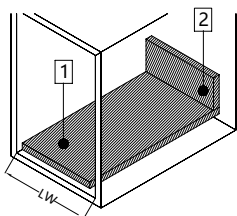
DS/30kg-450MM
DS/30kg-500MM
DS/50kg-500MM

DS-BC/142WH

DSF-M

DSR450W
DSR500W

DS340-450x600 DS340-450x900
DS340-500x600 DS340-500x900



Technology pivot:
Bottom and Back Panel Measurement
16mm Panel

- 1 LW: Inside Cabinet Width
Bottom panel width=Inside Cabinet Width -77 ± 0.5
- 2 Bottom panel length=Runner length -10 mm
Back panel height= **142mm**
Back panel width=Inside Cabinet Width -87 ± 0.5

Soft Closing

50,000
time cycle test

NOTE:

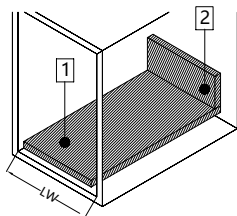
Please refer to pg22-23 for Complementary Products and Accessories (Item number B1, B2, B9, B15, B18 & B20)

Model	Description	Loading Capacity	Material	Colour	Cabinet Width	Nominal Length	Min. Height	Unit Price
1015 309 145	DS302-450 x 600 Series B	30kg	Metal	White	600	450	182	RM 195.00
1015 309 150	DS302-500 x 600 Series B	30kg	Metal	White	600	500	182	RM 198.00
1115 309 150	DS302-500 x 600/50 Series B	50kg	Metal	White	600	500	182	RM 213.00
1015 309 245	DS302-450 x 900 Series B	30kg	Metal	White	900	450	182	RM 198.00
1015 309 250	DS302-500 x 900 Series B	30kg	Metal	White	900	500	182	RM 201.00
1115 309 250	DS302-500 x 900/50 Series B	50kg	Metal	White	900	500	182	RM 216.00

DS302 Series D Horizontal Divider Set



Supplied with



Technology pivot:
Bottom and Back Panel Measurement
16mm Panel

- 1** LW: Inside Cabinet Width
Bottom panel width=Inside Cabinet Width -77±0.5
- 2** Bottom panel length=Runner length -10mm
Back panel height= **142mm**
Back panel width=Inside Cabinet Width -87±0.5



NOTE:
Please refer to pg22-23 for Complementary Products and Accessories
(Item number B1, B2, B9, B15, B18, B21 & B22)

Model	Description	Loading Capacity	Material	Colour	Cabinet Width	Nominal Length	Min. Height	Unit Price
1015 311 145	DS302-450 x 600 Series D	30kg	Metal	White	600	450	182	RM 300.00
1015 311 150	DS302-500 x 600 Series D	30kg	Metal	White	600	500	182	RM 300.00
1115 311 150	DS302-500 x 600/50 Series D	50kg	Metal	White	600	500	182	RM 315.00
1015 311 245	DS302-450 x 900 Series D	30kg	Metal	White	900	450	182	RM 330.00
1015 311 250	DS302-500 x 900 Series D	30kg	Metal	White	900	500	182	RM 330.00
1115 311 250	DS302-500 x 900/50 Series D	50kg	Metal	White	900	500	182	RM 345.00
1015 311 345	DS302-450 x 1200 Series D	30kg	Metal	White	1200	450	182	RM 386.00
1015 311 350	DS302-500 x 1200 Series D	30kg	Metal	White	1200	500	182	RM 386.00
1115 311 350	DS302-500 x 1200/50 Series D	50kg	Metal	White	1200	500	182	RM 401.00

* All the measurement by millimeter (mm)

DS306 Standard Inner Drawer System



Supplied with



DS-TS/450HF
DS-TS/500HF



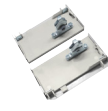
DS/30kg-450MM
DS/30kg-500MM
DS/50kg-500MM



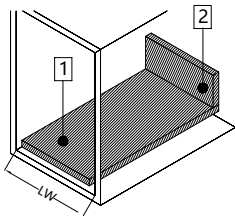
DSA311-463WH
DSA311-763WH
DSA311-1063WH



DS-BC/68WH



DSA301WH



Technology pivot:
Bottom and Back Panel Measurement
16mm Panel

- 1** LW: Inside Cabinet Width
Bottom panel width=Inside Cabinet Width -77±0.5
- 2** Bottom panel length=Runner length -10mm
Back panel height= **68mm**
Back panel width=Inside Cabinet Width -87±0.5



NOTE:

Please refer to pg22-23 for Complementary Products and Accessories (Item number B1, B2, B7, B11 & B14)

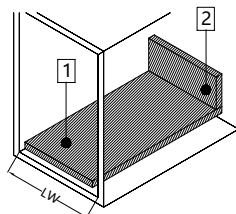
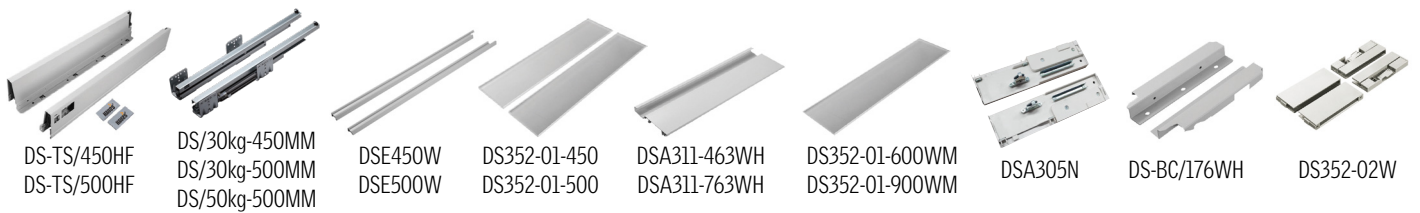
Model	Description	Loading Capacity	Material	Colour	Cabinet Width	Nominal Length	Min. Height	Unit Price
1015 306 061	DS306-450x600WH	30kg	Metal	White	600	450	108	RM 182.00
1015 306 062	DS306-500x600WH	30kg	Metal	White	600	500	108	RM 182.00
1115 306 062	DS306-500x600WH/50	50kg	Metal	White	600	500	108	RM 197.00
1015 306 091	DS306-450x900WH	30kg	Metal	White	900	450	108	RM 201.00
1015 306 092	DS306-500x900WH	30kg	Metal	White	900	500	108	RM 201.00
1115 306 092	DS306-500x900WH/50	50kg	Metal	White	900	500	108	RM 216.00
1015 306 121	DS306-450x1200WH	30kg	Metal	White	1200	450	108	RM 223.00
1015 306 122	DS306-500x1200WH	30kg	Metal	White	1200	500	108	RM 223.00
1115 306 122	DS306-500x1200WH/50	50kg	Metal	White	1200	500	108	RM 238.00

* All the measurement by millimeter (mm)

DS307 Glass High Inner Drawer System



Supplied with



Technology pivot:
Bottom and Back Panel Measurement
16mm Panel

- 1** LW: Inside Cabinet Width
Bottom panel width=Inside Cabinet Width -77±0.5
- 2** Bottom panel length=Runner length -10mm
Back panel height= **176mm**
Back panel width=Inside Cabinet Width -87±0.5



NOTE:
Please refer to pg22-23 for Complementary Products and Accessories
(Item number B1, B2, B3, B4, B5, B7, B10, B12 & B16)

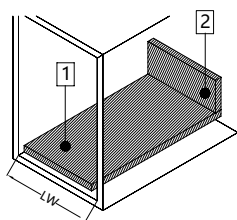
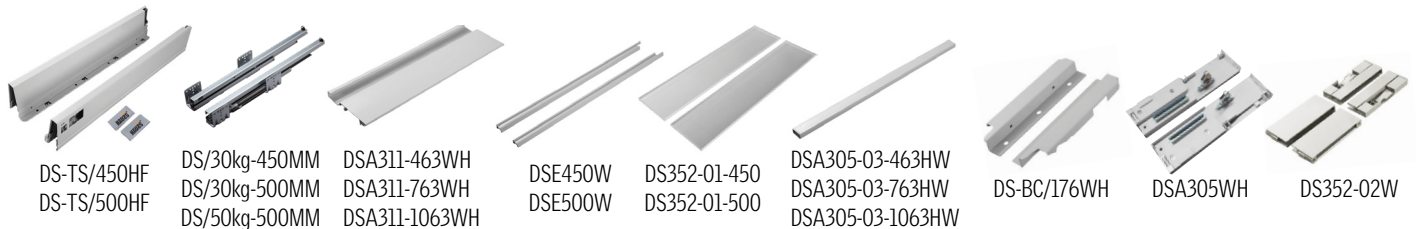
Model	Description	Loading Capacity	Material	Colour	Cabinet Width	Nominal Length	Min. Height	Unit Price
1015 307 061	DS307-450x600WH	30kg	Metal	White	600	450	221	RM 414.00
1015 307 062	DS307-500x600WH	30kg	Metal	White	600	500	221	RM 422.00
1115 307 062	DS307-500x600WH/50	50kg	Metal	White	600	500	221	RM 437.00
1015 307 091	DS307-450x900WH	30kg	Metal	White	900	450	221	RM 453.00
1015 307 092	DS307-500x900WH	30kg	Metal	White	900	500	221	RM 461.00
1115 307 092	DS307-500x900WH/50	50kg	Metal	White	900	500	221	RM 476.00

* All the measurement by millimeter (mm)

DS308 Rail High Inner Drawer System



Supplied with



Technology pivot:
Bottom and Back Panel Measurement
16mm Panel

- 1 LW: Inside Cabinet Width
Bottom panel width=Inside Cabinet Width -77±0.5
- 2 Bottom panel length=Runner length -10mm
Back panel height= **176mm**
Back panel width=Inside Cabinet Width -87±0.5

Soft Closing

50,000
time cycle test

NOTE:

Please refer to pg22-23 for Complementary Products and Accessories
(Item number B1, B2, B4, B5, B6, B7, B10, B13 & B16)

Model	Description	Loading Capacity	Material	Colour	Cabinet Width	Nominal Length	Min. Height	Unit Price
1015 318 061	DS308-450x600WH	30kg	Metal	White	600	450	221	RM 376.00
1015 318 062	DS308-500x600WH	30kg	Metal	White	600	500	221	RM 384.00
1115 318 062	DS308-500x600WH/50	50kg	Metal	White	600	500	221	RM 399.00
1015 318 091	DS308-450x900WH	30kg	Metal	White	900	450	221	RM 399.00
1015 318 092	DS308-500x900WH	30kg	Metal	White	900	500	221	RM 407.00
1115 318 092	DS308-500x900WH/50	50kg	Metal	White	900	500	221	RM 422.00
1015 318 121	DS308-450x1200WH	30kg	Metal	White	1200	450	221	RM 428.00
1015 318 122	DS308-500x1200WH	30kg	Metal	White	1200	500	221	RM 436.00
1115 318 122	DS308-500x1200WH/50	50kg	Metal	White	1200	500	221	RM 451.00

* All the measurement by millimeter (mm)

DS309 Rail High Inner Drawer System



Supplied with



DS-TS/450HF
DS-TS/500HF



DS/30kg-450MM
DS/30kg-500MM
DS/50kg-500MM



DSA311-463WH
DSA311-763WH
DSA311-1063WH



DSA305-03-463HW
DSA305-03-763HW
DSA305-03-1063HW



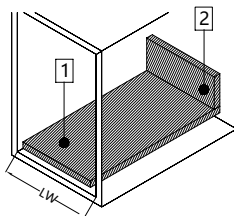
DSR450DWH
DSR500DWH



DS-BC/176WH



DSA305WH



Technology pivot:
Bottom and Back Panel Measurement
16mm Panel

- 1** LW: Inside Cabinet Width
Bottom panel width=Inside Cabinet Width -77±0.5
- 2** Bottom panel length=Runner length -10mm
Back panel height=**176mm**
Back panel width=Inside Cabinet Width -87±0.5



NOTE:

Please refer to pg22-23 for Complementary Products and Accessories (Item number B1, B2, B6, B7, B8, B13, & B16)

Model	Description	Loading Capacity	Material	Colour	Cabinet Width	Nominal Length	Min. Height	Unit Price
1015 309 061	DS309-450x600WH	30kg	Metal	White	600	450	221	RM 260.00
1015 309 062	DS309-500x600WH	30kg	Metal	White	600	500	221	RM 260.00
1115 309 062	DS309-500x600WH/50	50kg	Metal	White	600	500	221	RM 275.00
1015 309 091	DS309-450x900WH	30kg	Metal	White	900	450	221	RM 283.00
1015 309 092	DS309-500x900WH	30kg	Metal	White	900	500	221	RM 283.00
1115 309 092	DS309-500x900WH/50	50kg	Metal	White	900	500	221	RM 298.00
1015 309 121	DS309-450x1200WH	30kg	Metal	White	1200	450	221	RM 312.00
1015 309 122	DS309-500x1200WH	30kg	Metal	White	1200	500	221	RM 312.00
1115 309 122	DS309-500x1200WH/50	50kg	Metal	White	1200	500	221	RM 327.00

* All the measurement by millimeter (mm)

Complementary Products & Accessories for Benno Drawer Series

No.	Image	Model	Description	Colour	Unit Price
B1		DS-TS/450HF	Drawer Body And Cover Cap	White	RM 55.00
		DS-TS/500HF			RM 55.00
B2		1015 300 451	Drawer Runner Only	-	RM 65.00
		1015 300 501			RM 65.00
		1115 300 501			RM 77.00
B3		1015 307 007	Front Heightening Frosting Glass	-	RM 55.00
		1015 307 008			RM 75.00
B4		1015 307 011	Side Panel Frosting Glass	-	RM 95.00
		1015 307 004			RM 99.00
B5		1015 307 010	Aluminium Slot Left/Right	White	RM 28.00
		1015 307 003			RM 31.00
B6		1015 308 463	Aluminium Handle	White	RM 18.00
		1015 308 763			RM 22.00
		1015 308 063			RM 29.00
B7		1015 306 002	Front Panel	White	RM 45.00
		1015 306 003			RM 60.00
		1015 306 004			RM 91.00
B8		1015 006 053	Square Shape Railing For Inner Drawer	White	RM 18.00
		1015 006 052			RM 19.00
B9		1015 301 501	Front Connector For Standard Drawer	-	RM 10.00

* All the measurement by millimeter (mm)


Complementary Products & Accessories for Benno Drawer Series

No.	Image	Model	Description		Colour	Unit Price
B10		1015 307 006	DS352-02W	Front And Rear Glass Clip Left/Right	White	RM 17.00
B11		1015 306 001	DSA301WH	Front Panel Holder	White	RM 22.00
B12		1015 307 111	DSA305N	High Front Panel Holder For Glass	White	RM 35.00
B13		1015 307 001	DSA305WH	High Front Panel Holder For Railing	White	RM 35.00
B14		1015 301 001	DS-BC/68WH	Rear Connector Left/Right	White	RM 7.00
B15		1015 302 003	DS-BC/142WH	Rear Connector Left/Right	White	RM 10.00
B16		1015 307 002	DS-BC/176WH	Rear Connector Left/Right	White	RM 12.00
B17		1015 304 004	DS-BC/185WH	Rear Connector Left/Right	White	RM 20.00
B18		1015 007 051	DSR450W	Round Shape Railing For DS302	White	RM 10.00
		1015 007 052	DSR500W			
B19		1015 007 054	DSR450B-W	Round Shape Railing For DS304	White	RM 18.00
		1015 007 053	DSR500B-W			
B20		1015 004 060	DS340-450x600	Rails Divider	White	RM 57.00
		1015 003 060	DS340-500x600			RM 57.00
		1015 004 090	DS340-450x900			RM 60.00
		1015 003 090	DS340-500x900			RM 60.00
B21		1015 001 060	DSC350-478	Horizontal Divider	White	RM 57.00
		1015 001 090	DSC350-778			RM 71.00
		1015 001 120	DSC350-1078			RM 100.00
B22		1015 002 001	DSD90W	Vertical Divider	White	RM 16.00



* All the measurement by millimeter (mm)



DS33H4 Full Extension Synchronized Undermount Runner






16mm / 18mm Front Bracket

Model	Description	Loading Capacity	Nominal Length	Unit Price
1016 334 250	DS33H4-250 (With Locking Device)	30kg	250	RM 51.00
1016 334 300	DS33H4-300 (With Locking Device)	30kg	300	RM 51.00
1016 334 350	DS33H4-350 (With Locking Device)	30kg	350	RM 51.00
1016 334 400	DS33H4-400 (With Locking Device)	30kg	400	RM 53.00
1016 334 450	DS33H4-450 (With Locking Device)	30kg	450	RM 55.00
1016 334 500	DS33H4-500 (With Locking Device)	30kg	500	RM 58.00
1016 334 550	DS33H4-550 (With Locking Device)	30kg	550	RM 63.00
1016 334 600	DS33H4-600 (With Locking Device)	30kg	600	RM 68.00

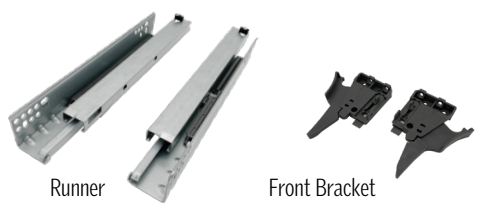
DS35H1 Synchronized Undermount Runner




Model	Description	Loading Capacity	Nominal Length	Unit Price
1016 311 300	DS35H1-300	30kg	300	RM 51.00
1016 311 350	DS35H1-350	30kg	350	RM 51.00
1016 311 400	DS35H1-400	30kg	400	RM 53.00
1016 311 450	DS35H1-450	30kg	450	RM 55.00
1016 311 500	DS35H1-500	30kg	500	RM 58.00

DS31E7 Push Open Undermount Runner





Model	Loading Capacity	Nominal Length	Unit Price
DS31E7-300	30kg	300	RM 55.00
DS31E7-350	30kg	350	RM 55.00
DS31E7-400	30kg	400	RM 57.00
DS31E7-450	30kg	450	RM 59.00
DS31E7-500	30kg	500	RM 61.00

TN45N F/Ext Soft Close Ball Bearing Slide Black






Model	Description	Loading Capacity	Colour	Nominal Length	Unit Price
TN45-250mm	Soft Close Ball Bearing Slide	25kg	Black	250	RM 26.40
TN45-300mm	Soft Close Ball Bearing Slide	25kg	Black	300	RM 26.40
TN45-350mm	Soft Close Ball Bearing Slide	25kg	Black	350	RM 30.80
TN45-400mm	Soft Close Ball Bearing Slide	25kg	Black	400	RM 35.20
TN45-450mm	Soft Close Ball Bearing Slide	25kg	Black	450	RM 39.60
TN45-500mm	Soft Close Ball Bearing Slide	25kg	Black	500	RM 44.00
TN45-550mm	Soft Close Ball Bearing Slide	25kg	Black	550	RM 48.40
TN45-600mm	Soft Close Ball Bearing Slide	25kg	Black	600	RM 52.80

* All the measurement by millimeter (mm)

DS210C Stainless Steel Drawer Organizer

Model	1014 022 001
Description	DS210C
Dimension (W x D x H)	280 x 473 x 65
Material	Stainless Steel
Unit Price	RM 230.00

DS210I Stainless Steel Drawer Organizer

Model	1014 022 002
Description	DS210I
Dimension (W x D x H)	530 x 473 x 65
Material	Stainless Steel
Unit Price	RM 352.00

DS210CC Stainless Steel Drawer Organizer

Model	1014 022 003
Description	DS210CC
Dimension (W x D x H)	820 x 473 x 65
Material	Stainless Steel
Unit Price	RM 465.00

DSB500B Stainless Steel Drawer Organizer

Model	DSB500B
Description	DSB500B
Dimension (W x D x H)	104 x 473 x 65
Material	Stainless Steel
Unit Price	RM 101.00


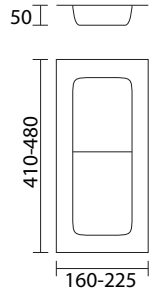
Divider For Drawer Organizer

Model	1014 022 100
Description	DS210-A
Dimension (W)	130-150
Material	Stainless Steel
Unit Price	RM 30.00


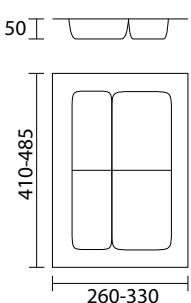
Divider For Drawer Organizer

Model	1014 022 101
Description	DS210-B
Dimension (W)	247-267
Material	Stainless Steel
Unit Price	RM 30.00


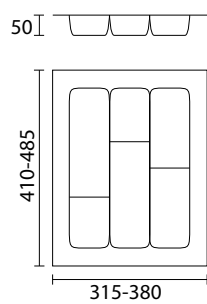
C300mm Cutlery Tray (Metallic Grey)

  <p>* Cuttable edge</p>	Model	1014 003 030
	Description	C300mm
	Dimension (W x D x H)	160-225 x 410-480 x 50
	Material	Polystyrene
	Colour	Metallic Grey
	Unit Price	RM 34.00


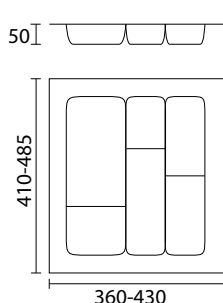
C400mm Cutlery Tray (Metallic Grey)

  <p>* Cuttable edge</p>	Model	1014 003 040
	Description	C400mm
	Dimension (W x D x H)	260-330 x 410-485 x 50
	Material	Polystyrene
	Colour	Metallic Grey
	Unit Price	RM 42.00


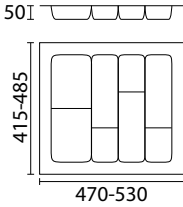
C450mm Cutlery Tray (Metallic Grey)

  <p>* Cuttable edge</p>	Model	1014 003 045
	Description	C450mm
	Dimension (W x D x H)	315-380 x 410-485 x 50
	Material	Polystyrene
	Colour	Metallic Grey
	Unit Price	RM 47.00


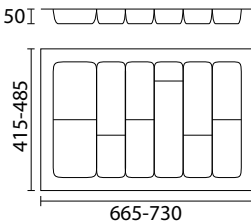
C500mm Cutlery Tray (Metallic Grey)

  <p>* Cuttable edge</p>	Model	1014 003 050
	Description	C500mm
	Dimension (W x D x H)	360-430 x 410-485 x 50
	Material	Polystyrene
	Colour	Metallic Grey
	Unit Price	RM 52.00


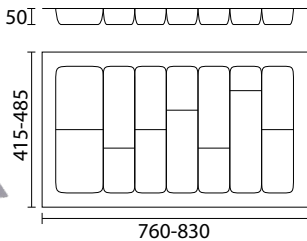
C600mm Cutlery Tray (Metallic Grey)

 <p>* Cuttable edge</p>		Model	1014 003 060
		Description	C600mm
		Dimension (W x D x H)	470-530 x 415-485 x 50
		Material	Polystyrene
		Colour	Metallic Grey
		Unit Price	RM 63.00


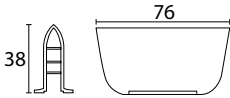
C800mm Cutlery Tray (Metallic Grey)

 <p>* Cuttable edge</p>		Model	1014 003 080
		Description	C800mm
		Dimension (W x D x H)	665-730 x 415-485 x 50
		Material	Polystyrene
		Colour	Metallic Grey
		Unit Price	RM 78.00


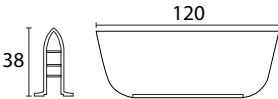
C900mm Cutlery Tray (Metallic Grey)

 <p>* Cuttable edge</p>		Model	1014 003 090
		Description	C900mm
		Dimension (W x D x H)	760-830 x 415-485 x 50
		Material	Polystyrene
		Colour	Metallic Grey
		Unit Price	RM 82.00

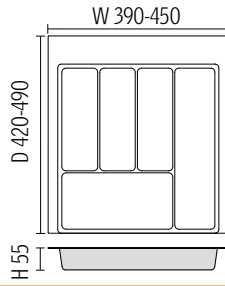
C901 Divider Cutlery Tray (Metallic Grey)

		Model	1014 003 501
		Description	C901
		Dimension (W x H)	76 x 38
		Material	Polystyrene
		Colour	Metallic Grey
		Unit Price	RM 2.00

C902 Divider Cutlery Tray (Metallic Grey)

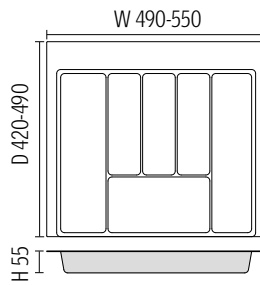
		Model	1014 003 502
		Description	C902
		Dimension (W x H)	120 x 38
		Material	Polystyrene
		Colour	Metallic Grey
		Unit Price	RM 2.00

TMD500mm Cutlery Tray (Dark Grey)



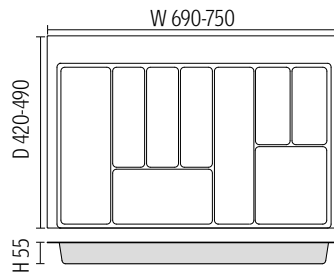
Model	TMD500mm
Description	TMD500mm
Dimension (W x D x H)	450 x 490 x 55
Material	ABS
Colour	Dark Grey
Unit Price	RM 46.00

TMD600mm Cutlery Tray (Dark Grey)



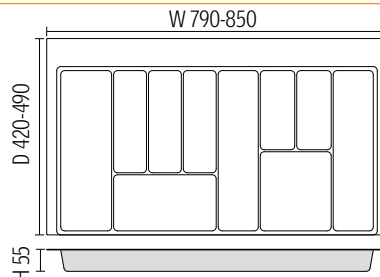
Model	TMD600mm
Description	TMD600mm
Dimension (W x D x H)	550 x 490 x 55
Material	ABS
Colour	Dark Grey
Unit Price	RM 48.50

TMD800mm Cutlery Tray (Dark Grey)



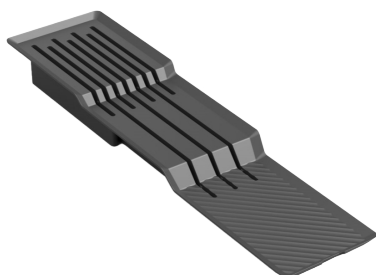
Model	TMD800mm
Description	TMD800mm
Dimension (W x D x H)	750 x 490 x 55
Material	ABS
Colour	Dark Grey
Unit Price	RM 57.50

TMD900mm Cutlery Tray (Dark Grey)



Model	TMD900mm
Description	TMD900mm
Dimension (W x D x H)	850 x 490 x 55
Material	ABS
Colour	Dark Grey
Unit Price	RM 62.00

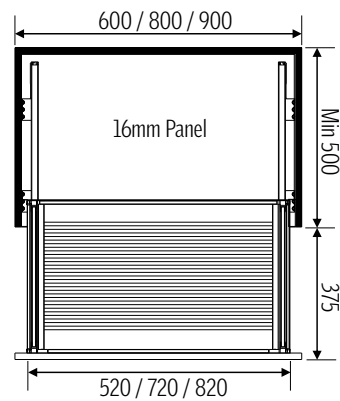
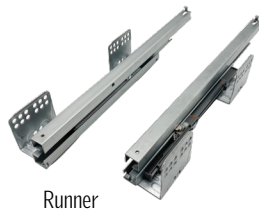
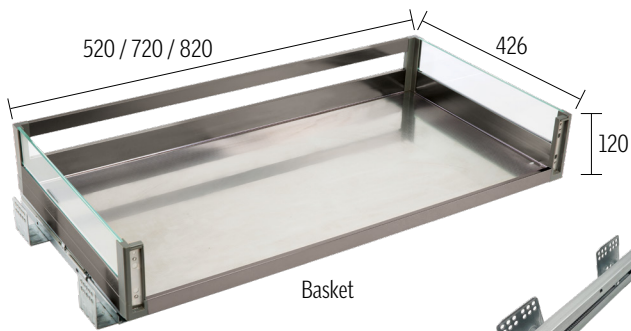
TMD Knife Rack (Dark Grey)



Model	TMD Knife Rack
Description	TMD Knife Rack
Dimension (W x D x H)	395 x 98 x 42
Material	ABS
Colour	Dark Grey
Unit Price	RM 42.00



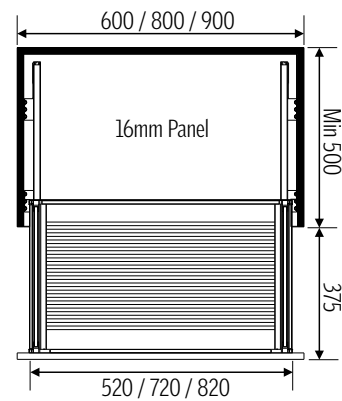
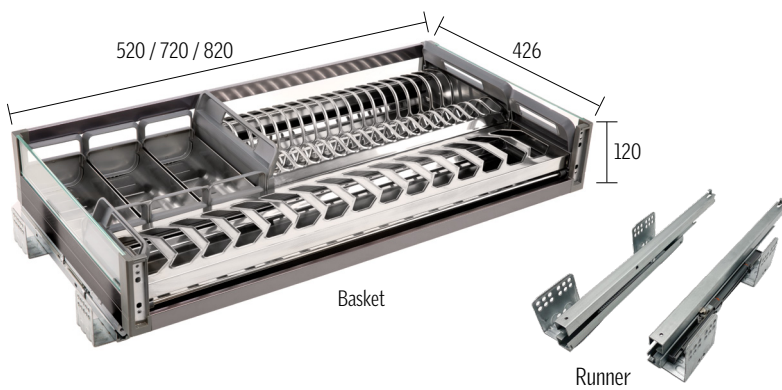
Aluminium 3 Side Pull Out Basket



Model	Loading Capacity	Material	Cabinet Width	Dimension (W x D x H)	Unit Price
HBP218960M	25kg	Aluminium + Tempered Glass	600	564 x 435 x 168	RM 381.00
HBP218980M	25kg	Aluminium + Tempered Glass	800	764 x 435 x 168	RM 405.00
HBP218990M	25kg	Aluminium + Tempered Glass	900	864 x 435 x 168	RM 423.00

* All the measurement by millimeter (mm)

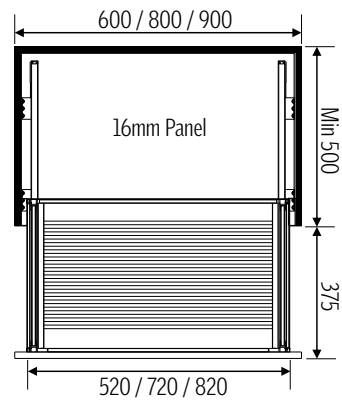
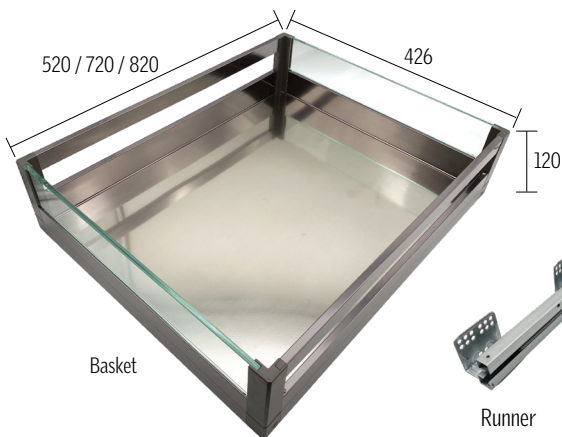
Aluminium 3 Side Multifunction Pull Out Basket



Model	Loading Capacity	Material	Cabinet Width	Dimension (W x D x H)	Unit Price
HBP217860M	25kg	Aluminium + Tempered Glass	600	564 x 435 x 168	RM 525.00
HBP217880M	25kg	Aluminium + Tempered Glass	800	764 x 435 x 168	RM 580.00
HBP217890M	25kg	Aluminium + Tempered Glass	900	864 x 435 x 168	RM 610.00

* All the measurement by millimeter (mm)

Aluminium 4 Side Pull Out Basket



Model	Loading Capacity	Material	Cabinet Width	Dimension (W x D x H)	Unit Price
HBP28960M	25kg	Aluminium + Tempered Glass	600	564 x 435 x 168	RM 409.00
HBP28980M	25kg	Aluminium + Tempered Glass	800	764 x 435 x 168	RM 448.00
HBP28990M	25kg	Aluminium + Tempered Glass	900	864 x 435 x 168	RM 468.00

* All the measurement by millimeter (mm)

Aluminium 4 Side Multifunction Pull Out Basket

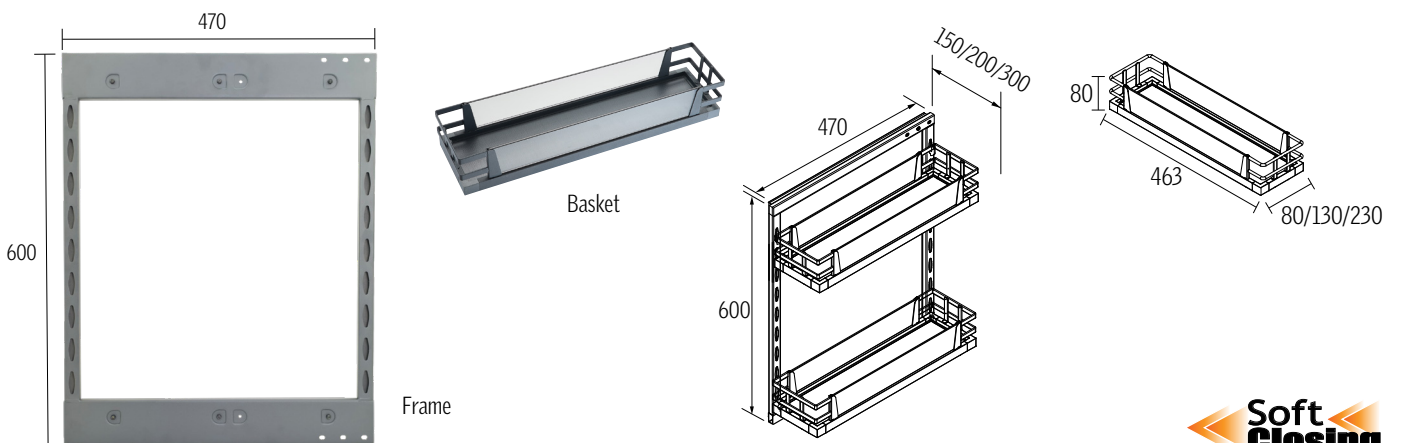


Soft Closing

Model	Loading Capacity	Material	Cabinet Width	Dimension (W x D x H)	Unit Price
HBP27860M	25kg	Aluminium + Tempered Glass	600	564 x 435 x 168	RM 558.00
HBP27880M	25kg	Aluminium + Tempered Glass	800	764 x 435 x 168	RM 638.00
HBP27890M	25kg	Aluminium + Tempered Glass	900	864 x 435 x 168	RM 667.00

* All the measurement by millimeter (mm)

Utility 2 Layers Pull Out Basket

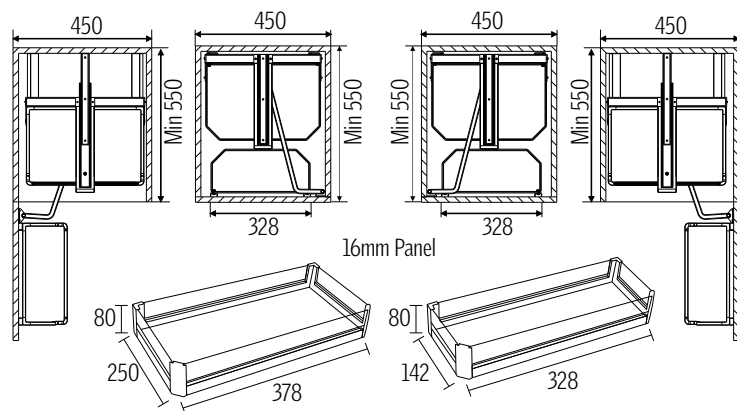
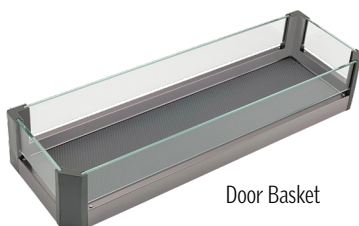
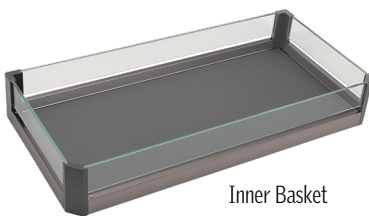


Soft Closing

Model	Loading Capacity	Material	Cabinet Width	Dimension (W x D x H)	Unit Price
HBPJ05015	15kg	Iron + Powder Coat + Tempered Glass	150	106 x 470 x 600	RM 298.00
HBPJ05020			200	156 x 470 x 600	RM 305.00
HBPJ05030			300	256 x 470 x 600	RM 335.00

* All the measurement by millimeter (mm)

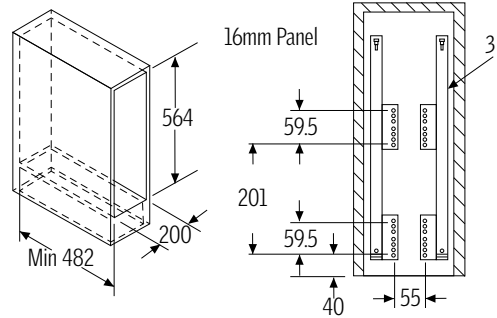
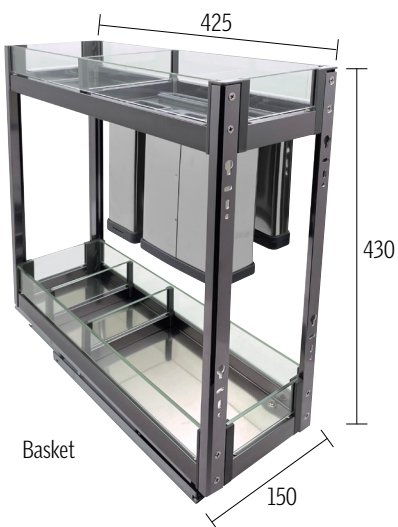
Aluminium Glass Base Unit Deluxe Larder



Model	Loading Capacity	Material	Cabinet Width	Dimension (W x D x H)	Unit Price
HBP48445	3kg/Basket (Door)	Aluminium + Tempered Glass	450	388 x 500 x 540	RM 668.00
	5kg/Basket (Inner)				

* All the measurement by millimeter (mm)

Aluminium Utility 2 Layers Pull Out Basket

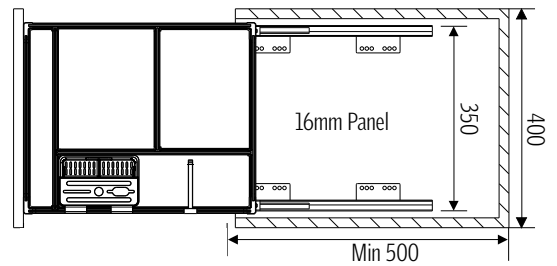
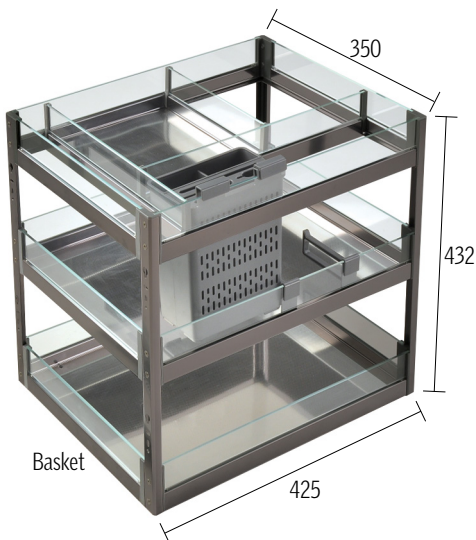


* All the measurement by millimeter (mm)



Model	Loading Capacity	Material	Cabinet Width	Dimension (W x D x H)	Unit Price
HBP47520	25kg	Aluminium + Tempered Glass	200	150 x 433 x 475	RM 520.00

Aluminium Utility 3 Layers Pull Out Basket

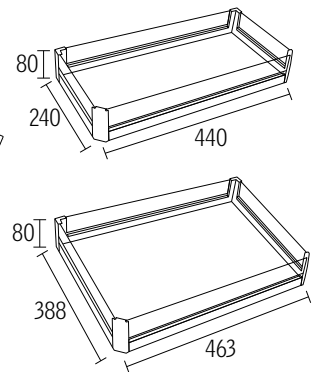
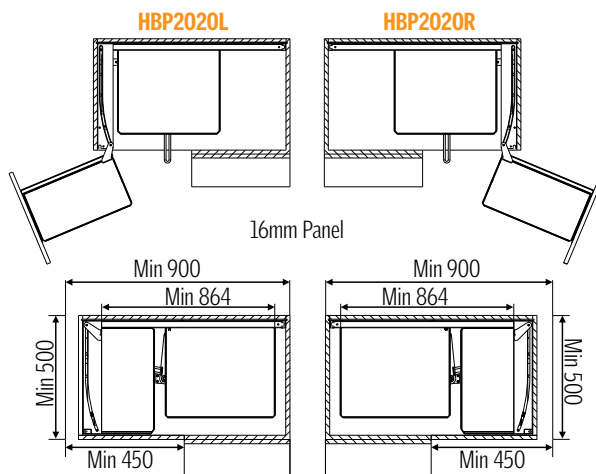


Soft Closing

Model	Loading Capacity	Material	Cabinet Width	Dimension (W x D x H)	Unit Price
HBP47540	25kg	Aluminium + Tempered Glass	400	350 x 425 x 432	RM 650.00

* All the measurement by millimeter (mm)

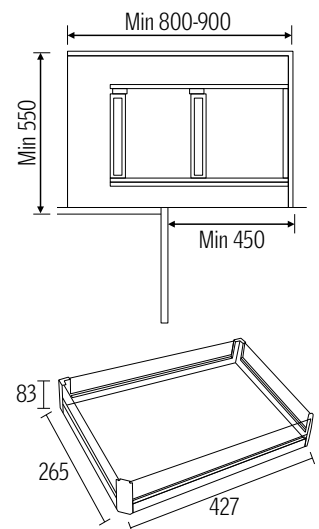
Aluminium Glass Magic Corner



Model	Loading Capacity	Material	Cabinet Width	Dimension (W x D x H)	Unit Price
HBP2020L	3kg/Basket (Door)	Aluminium + Tempered Glass	900	864 x 500 x 525	RM 1150.00
	7kg/Basket (Inner)				
HBP2020R	3kg/Basket (Door)	Aluminium + Tempered Glass	900	864 x 500 x 525	RM 1150.00
	7kg/Basket (Inner)				

* All the measurement by millimeter (mm)

Complete Out Magic Corner

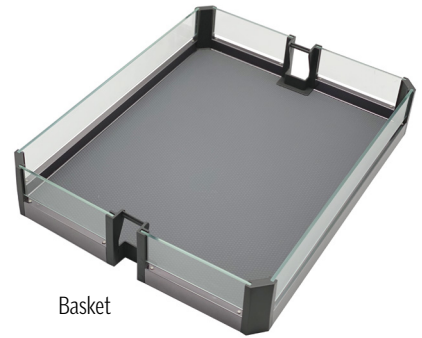


Soft Closing

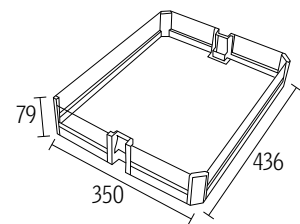
Model	Loading Capacity	Material	Cabinet Width	Dimension (W x D x H)	Unit Price
HBPO1806	4kg/Basket	Aluminium + Tempered Glass	900	610 x 460 x 583	RM 1200.00

* All the measurement by millimeter (mm)

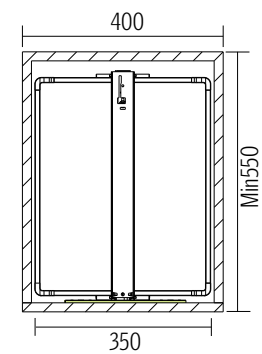
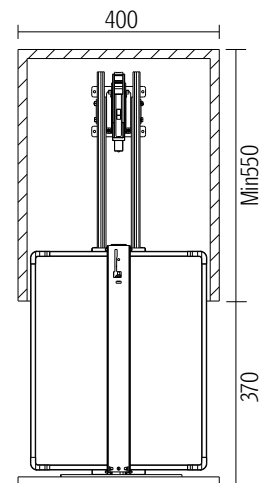
Aluminium Glass Tall Larder



Basket



16mm Panel

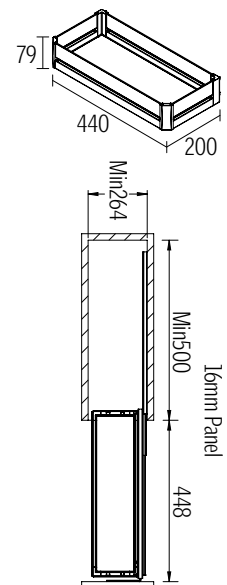


* All the measurement by millimeter (mm)



Model	Description	Loading Capacity	Material	Cabinet Width	Internal Height	Unit Price
HBP43440A	4 Basket	5kg/Basket	Aluminium + Tempered Glass	400	1150-1450	RM 1250.00
HBP43640AH	6 Basket	5kg/Basket	Aluminium + Tempered Glass	400	1850-2150	RM 1650.00

Aluminium Side Mounted Glass Tall Larder



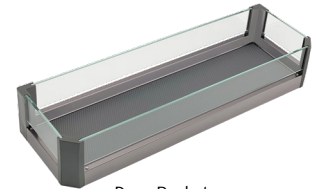
Model	Description	Loading Capacity	Material	Cabinet Width	Min. Internal Height	Unit Price
HBP44630C	6 Basket	5kg/Basket	Aluminium + Tempered Glass	300	1768	RM 1028.00

* All the measurement by millimeter (mm)

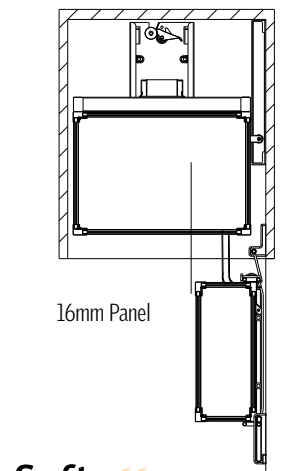
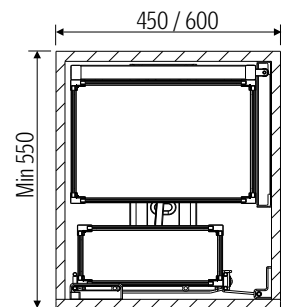
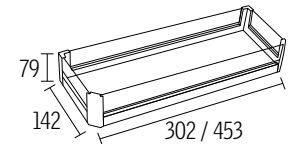
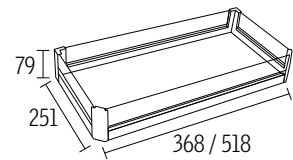
Aluminium Glass Deluxe Larder



Inner Basket



Door Basket



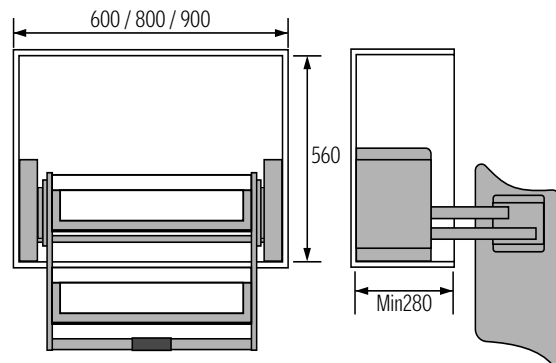
16mm Panel



* All the measurement by millimeter (mm)

Model	Description	Loading Capacity	Material	Cabinet Width	Min. Internal Height	Unit Price
HBP42645M	12 Basket	3kg/Basket (Door)	Aluminium + Tempered Glass	450	1700	RM 1750.00
		5kg/Basket (Inner)				
HBP42660M	12 Basket	3kg/Basket (Door)	Aluminium + Tempered Glass	600	1700	RM 2100.00
		5kg/Basket (Inner)				

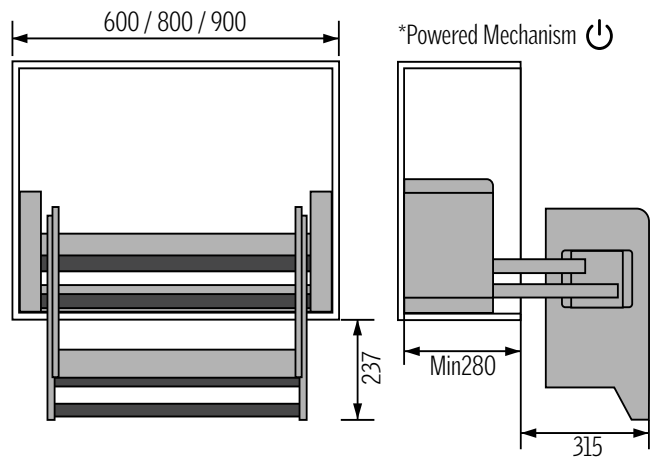
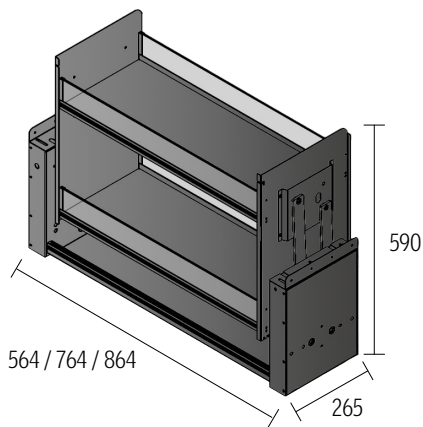
Magic Collector Aluminium Glass Mental Deficiency Functions



Model	Loading Capacity (Adjustable)	Material	Cabinet Width	Dimension (W x D x H)	Unit Price
B407-600	0-1kg (Pull out two buttons)	Aluminium + Tempered Glass	600	560 x 280 x 560	RM 1050.00
	1-4kg (Press in left, pull out right)				
	3-6kg (Pull out left, press in right)				
	5-10kg (Press in two buttons)				
B407-800	0-1kg (Pull out two buttons)	Aluminium + Tempered Glass	800	760 x 280 x 560	RM 1150.00
	1-5kg (Press in left, pull out right)				
	5-7kg (Pull out left, press in right)				
	6-12kg (Press in two buttons)				
B407-900	0-1kg (Pull out two buttons)	Aluminium + Tempered Glass	900	860 x 280 x 560	RM 1200.00
	1-5kg (Press in left, pull out right)				
	5-7kg (Pull out left, press in right)				
	6-12kg (Press in two buttons)				

* All the measurement by millimeter (mm)

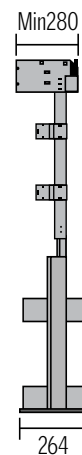
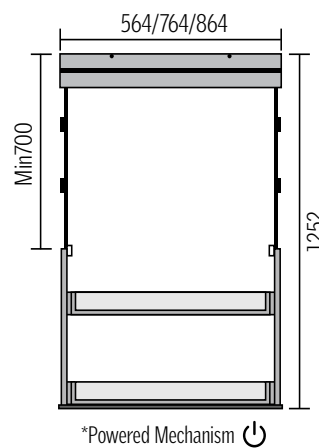
Electric Magic Collector Aluminium Glass



Model	Loading Capacity	Material	Cabinet Width	Dimension (W x D x H)	Power Adapter	Unit Price
TM53060	13kg	Aluminium + Tempered Glass	600	564 x 265 x 590	110V-220V	RM 2215.00
TM53080	13kg	Aluminium + Tempered Glass	800	764 x 265 x 590		RM 2255.00
TM53090	13kg	Aluminium + Tempered Glass	900	864 x 265 x 590		RM 2295.00

* All the measurement by millimeter (mm)

Electric Lift Up Aluminium & Glass Basket



Model	Loading Capacity	Material	Cabinet Width	Dimension (W x D x H)	Power Adapter	Unit Price
TM52060	15kg	Aluminium + Tempered Glass	600	564 x 264 x 655	110V-220V	RM 1970.00
TM52080	15kg	Aluminium + Tempered Glass	800	764 x 264 x 655		RM 2140.00
TM52090	15kg	Aluminium + Tempered Glass	900	864 x 264 x 655		RM 2245.00

* All the measurement by millimeter (mm)

Aluminium 3 Side Pull Out Basket (A+B)



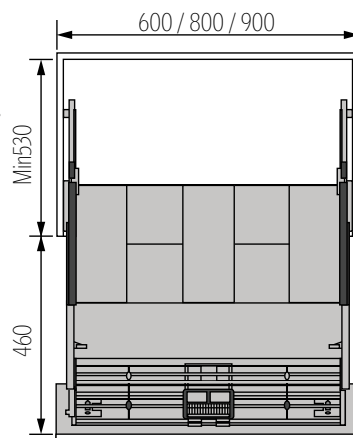
Main Basket



Upper Basket



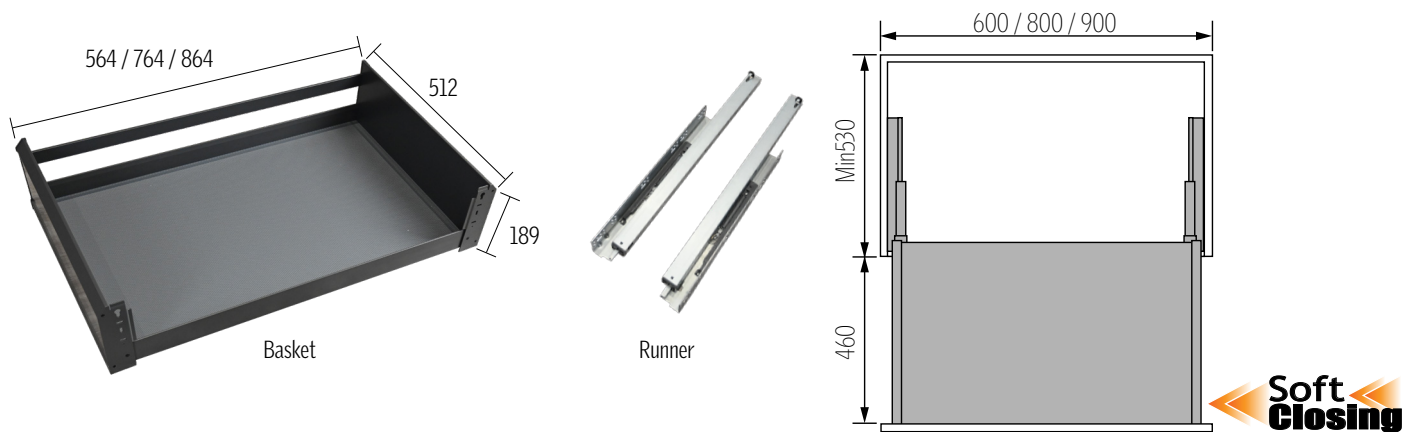
Runner



Model	Loading Capacity	Material	Cabinet Width	Dimension (W x D x H)	Unit Price
HBA517860A	20kg	Aluminium	600	564 x 510 x 249	RM 1150.00
HBA517880A	20kg	Aluminium	800	764 x 510 x 249	RM 1320.00
HBA517890A	20kg	Aluminium	900	864 x 510 x 249	RM 1380.00

* All the measurement by millimeter (mm)

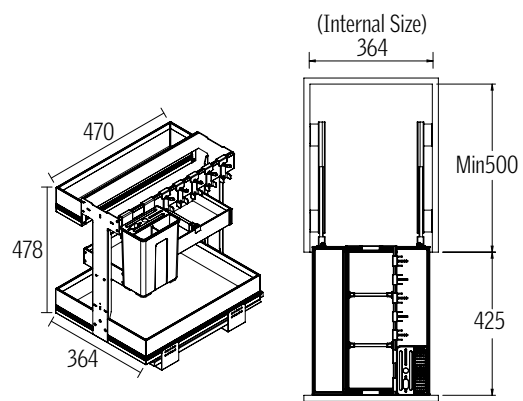
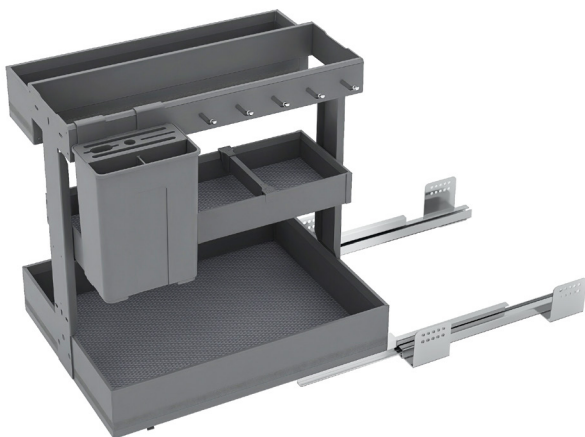
Aluminium 3 Side Pull Out Basket



Model	Loading Capacity	Material	Cabinet Width	Dimension (W x D x H)	Unit Price
HBA518960A	20kg	Aluminium	600	564 x 512 x 189	RM 490.00
HBA518980A	20kg	Aluminium	800	764 x 512 x 189	RM 535.00
HBA518990A	20kg	Aluminium	900	864 x 512 x 189	RM 560.00

* All the measurement by millimeter (mm)

Aluminium Utility 3 Layers Pull Out Basket

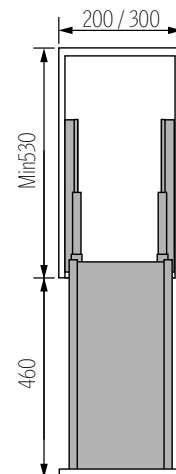
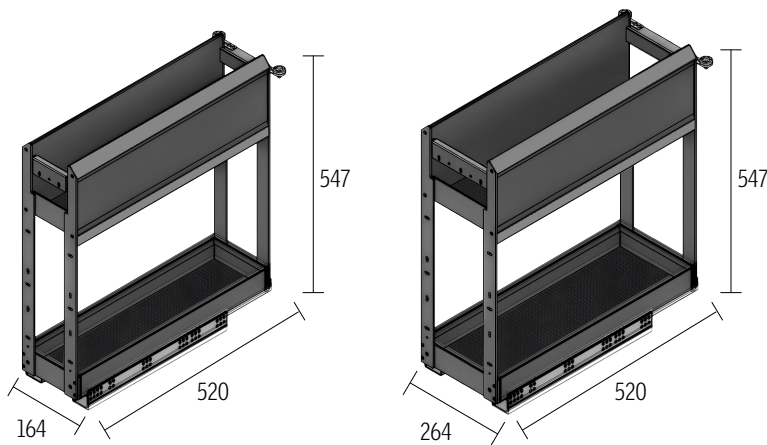


* All the measurement by millimeter (mm)



Model	Loading Capacity	Material	Cabinet Width	Dimension (W x D x H)	Unit Price
HBP49540	25kg	Aluminium	400	364 x 470 x 483	RM 668.00

Aluminium Utility 2 Layers Pull Out Basket



Model	Loading Capacity	Material	Cabinet Width	Dimension (W x D x H)	Unit Price
HBA55720	Max 10kg	Aluminium	200	164 x 520 x 547	RM 570.00
HBA55730		Aluminium	300	264 x 520 x 547	RM 605.00

* All the measurement by millimeter (mm)

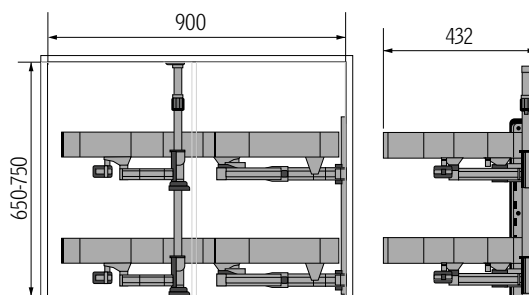
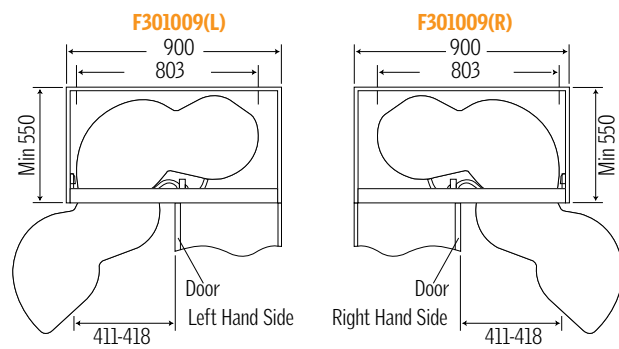
Dark Grey Aluminium Swing Tray 900mm



F301009(L)



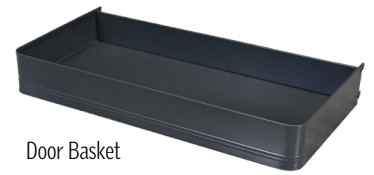
F301010(R)



Model	Description	Loading Capacity	Material	Cabinet Width	Dimension (W x D x H)	Unit Price
F301009(L)	Dark Grey Aluminium Swing Tray Left	Max 20kg	Aluminium + Powder Coat	900	865 x 495 x (650-750)	RM 950.00
F301010(R)	Dark Grey Aluminium Swing Tray Right		Aluminium + Powder Coat	900	865 x 495 x (650-750)	RM 950.00

* All the measurement by millimeter (mm)

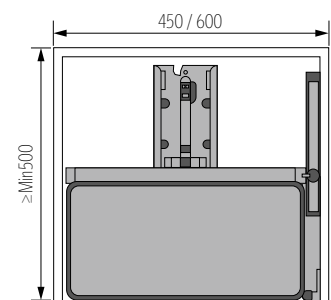
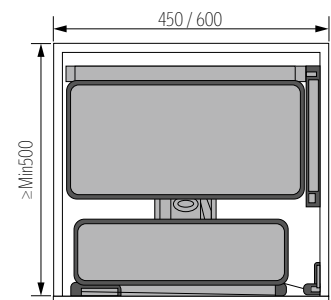
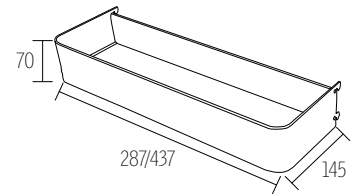
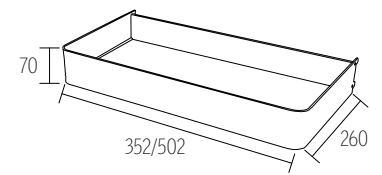
Aluminium Deluxe Larder



Door Basket



Inner Basket

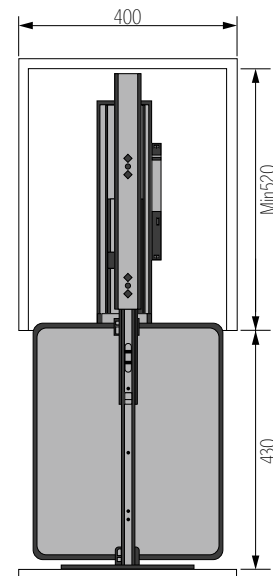
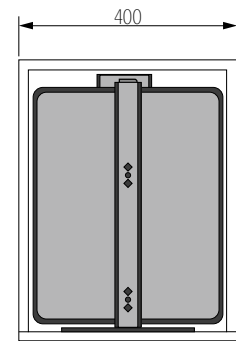
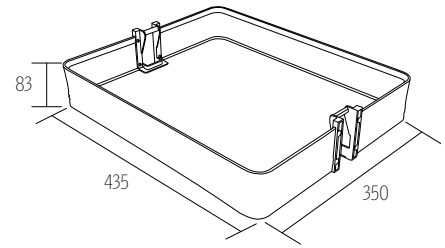


Model	Loading Capacity	Material	Cabinet Width	Min. Internal Height	Unit Price
HBA52645	30-50kg	Aluminium	450	1700	RM 1410.00
HBA52660		Aluminium	600		RM 1590.00

Aluminium Tall Larder



Basket



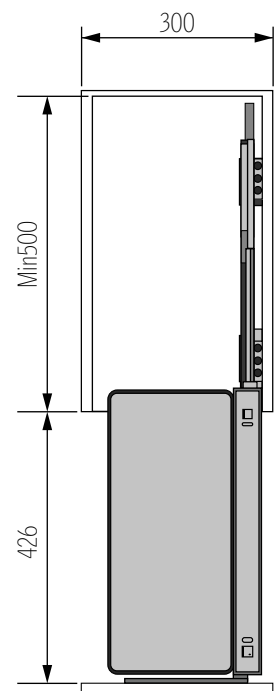
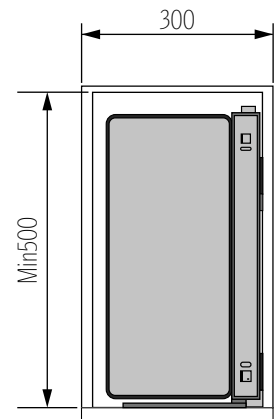
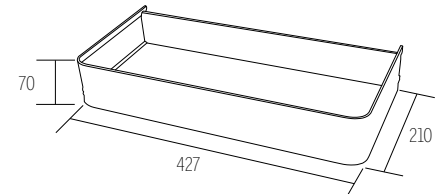
* All the measurement by millimeter (mm)

Model	Description	Loading Capacity	Material	Cabinet Width	Internal Height	Unit Price
HBA53440A	4 Basket	Max 20kg	Aluminium	400	1200-1500	RM 1065.00
HBA53640A	6 Basket	Max 30kg			1900-2200	RM 1370.00

Aluminium Side Mounted Tall Larder



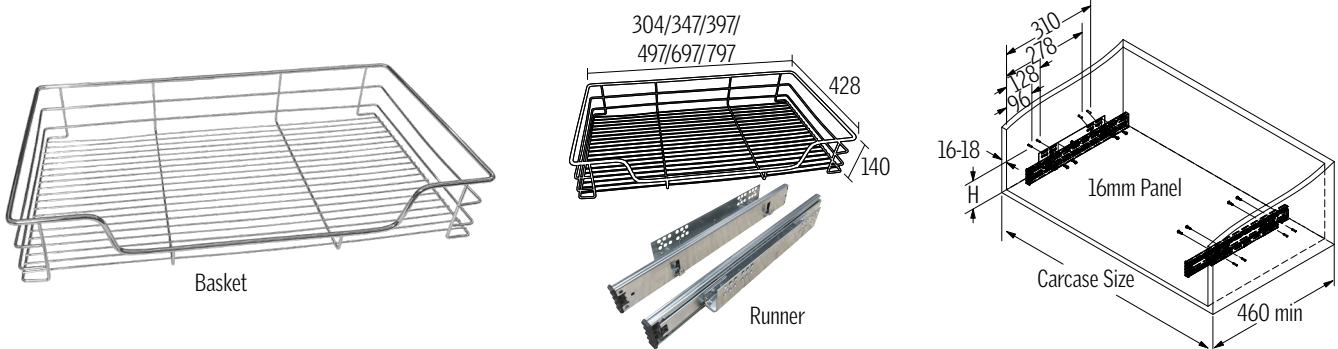
Door Basket



Model	Description	Loading Capacity	Material	Cabinet Width	Min. Internal Height	Unit Price
HBA54630A	6 Basket	Max 30kg	Aluminium	300	1760	RM 940.00

* All the measurement by millimeter (mm)

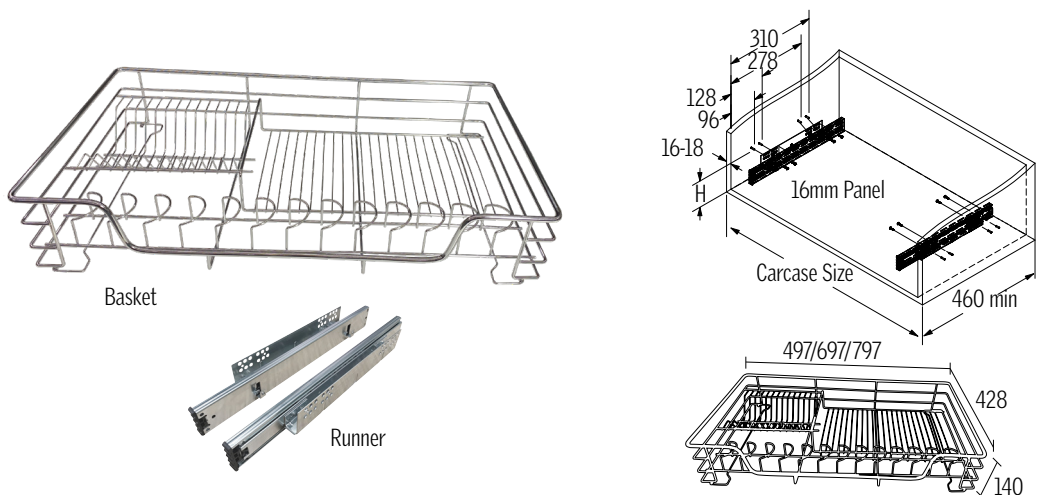
Pull Out Basket



Model	Description	Loading Capacity	Material	Finishing	Internal (W)	Cabinet (W)	Dimension (W x D x H)	Unit Price
HBJ04040	Pull Out Basket & Runner	25kg	Steel	Chrome	368	400	368 x 428 x 151	RM 136.00
HBJ04045	Pull Out Basket & Runner	25kg	Steel	Chrome	418	450	418 x 428 x 151	RM 140.00
HBJ04050	Pull Out Basket & Runner	25kg	Steel	Chrome	468	500	468 x 428 x 151	RM 146.00
HBJ04060	Pull Out Basket & Runner	25kg	Steel	Chrome	568	600	568 x 428 x 151	RM 155.00
HBJ04080	Pull Out Basket & Runner	25kg	Steel	Chrome	768	800	768 x 428 x 151	RM 175.00
HBJ04090	Pull Out Basket & Runner	25kg	Steel	Chrome	868	900	868 x 428 x 151	RM 186.00
HBJ24040	Pull Out Basket & Runner	25kg	S/Steel	Chrome	368	400	368 x 428 x 151	RM 191.00
HBJ24045	Pull Out Basket & Runner	25kg	S/Steel	Chrome	418	450	418 x 428 x 151	RM 200.00
HBJ24050	Pull Out Basket & Runner	25kg	S/Steel	Chrome	468	500	468 x 428 x 151	RM 208.00
HBJ24060	Pull Out Basket & Runner	25kg	S/Steel	Chrome	568	600	568 x 428 x 151	RM 226.00
HBJ24080	Pull Out Basket & Runner	25kg	S/Steel	Chrome	768	800	768 x 428 x 151	RM 261.00
HBJ24090	Pull Out Basket & Runner	25kg	S/Steel	Chrome	868	900	868 x 428 x 151	RM 285.00

* All the measurement by millimeter (mm)

Bowl And Plate Pull Out Basket



Model	Description	Loading Capacity	Material	Finishing	Internal (W)	Cabinet (W)	Dimension (W x D x H)	Unit Price
HBJ09060	Bowl & Plate Basket c/w Runner	20kg	Steel	Chrome	568	600	568 x 428 x 214	RM 200.00
HBJ09080	Bowl & Plate Basket c/w Runner	20kg	Steel	Chrome	768	800	768 x 428 x 214	RM 230.00
HBJ09090	Bowl & Plate Basket c/w Runner	20kg	Steel	Chrome	868	900	868 x 428 x 214	RM 255.00
HBJ29060	Bowl & Plate Basket c/w Runner	20kg	S/Steel	Chrome	568	600	568 x 428 x 214	RM 298.00
HBJ29080	Bowl & Plate Basket c/w Runner	20kg	S/Steel	Chrome	768	800	768 x 428 x 214	RM 345.00
HBJ29090	Bowl & Plate Basket c/w Runner	20kg	S/Steel	Chrome	868	900	868 x 428 x 214	RM 376.00
HBJ-T	Tray for Bowl & Plate Basket	-	-	-	-	-	-	RM 32.00

* All the measurement by millimeter (mm)

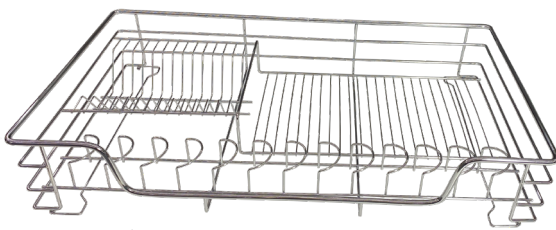
Soft Close Pull Out Basket



Model	Description	Loading Capacity	Material	Finishing	Internal (W)	Cabinet (W)	Dimension (W x D x H)	Unit Price
S-HBJ04040	Pull Out Basket c/w Undermount Runner	35kg	Steel	Chrome	368	400	368 x 428 x 184	RM 210.00
S-HBJ04045	Pull Out Basket c/w Undermount Runner	35kg	Steel	Chrome	418	450	418 x 428 x 184	RM 213.00
S-HBJ04050	Pull Out Basket c/w Undermount Runner	35kg	Steel	Chrome	468	500	468 x 428 x 184	RM 219.00
S-HBJ04060	Pull Out Basket c/w Undermount Runner	35kg	Steel	Chrome	568	600	568 x 428 x 184	RM 227.00
S-HBJ04080	Pull Out Basket c/w Undermount Runner	35kg	Steel	Chrome	768	800	768 x 428 x 184	RM 247.00
S-HBJ04090	Pull Out Basket c/w Undermount Runner	35kg	Steel	Chrome	868	900	868 x 428 x 184	RM 260.00
S-HBJ24040	Pull Out Basket c/w Undermount Runner	35kg	S/Steel	Chrome	368	400	368 x 428 x 184	RM 265.00
S-HBJ24045	Pull Out Basket c/w Undermount Runner	35kg	S/Steel	Chrome	418	450	418 x 428 x 184	RM 273.00
S-HBJ24050	Pull Out Basket c/w Undermount Runner	35kg	S/Steel	Chrome	468	500	468 x 428 x 184	RM 281.00
S-HBJ24060	Pull Out Basket c/w Undermount Runner	35kg	S/Steel	Chrome	568	600	568 x 428 x 184	RM 299.00
S-HBJ24080	Pull Out Basket c/w Undermount Runner	35kg	S/Steel	Chrome	768	800	768 x 428 x 184	RM 335.00
S-HBJ24090	Pull Out Basket c/w Undermount Runner	35kg	S/Steel	Chrome	868	900	868 x 428 x 184	RM 357.00

* All the measurement by millimeter (mm)

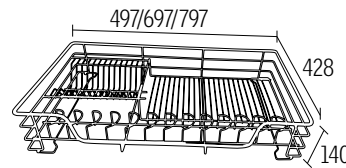
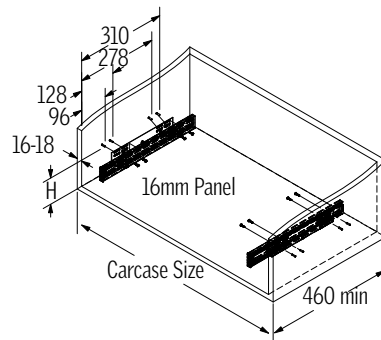
Soft Close Bowl And Plate Pull Out Basket



Basket



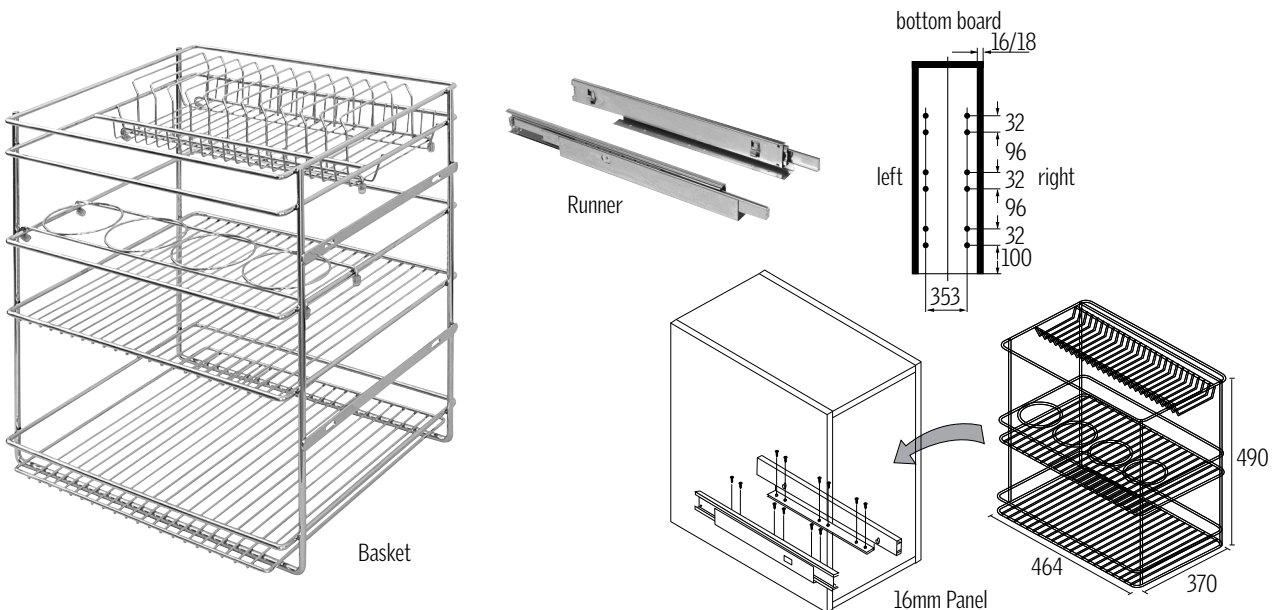
Runner



* All the measurement by millimeter (mm)

Model	Description	Loading Capacity	Material	Finishing	Internal (W)	Cabinet (W)	Dimension (W x D x H)	Unit Price
S-HBJ09060	Bowl & Plate c/w Undermount runner	35kg	Steel	Chrome	568	600	568 x 428 x 184	RM 280.00
S-HBJ09080	Bowl & Plate c/w Undermount runner	35kg	Steel	Chrome	768	800	768 x 428 x 184	RM 310.00
S-HBJ09090	Bowl & Plate c/w Undermount runner	35kg	Steel	Chrome	868	900	868 x 428 x 184	RM 328.00
S-HBJ29060	Bowl & Plate c/w Undermount runner	35kg	S/Steel	Chrome	568	600	568 x 428 x 184	RM 365.00
S-HBJ29080	Bowl & Plate c/w Undermount runner	35kg	S/Steel	Chrome	768	800	768 x 428 x 184	RM 425.00
S-HBJ29090	Bowl & Plate c/w Undermount runner	35kg	S/Steel	Chrome	868	900	868 x 428 x 184	RM 449.00

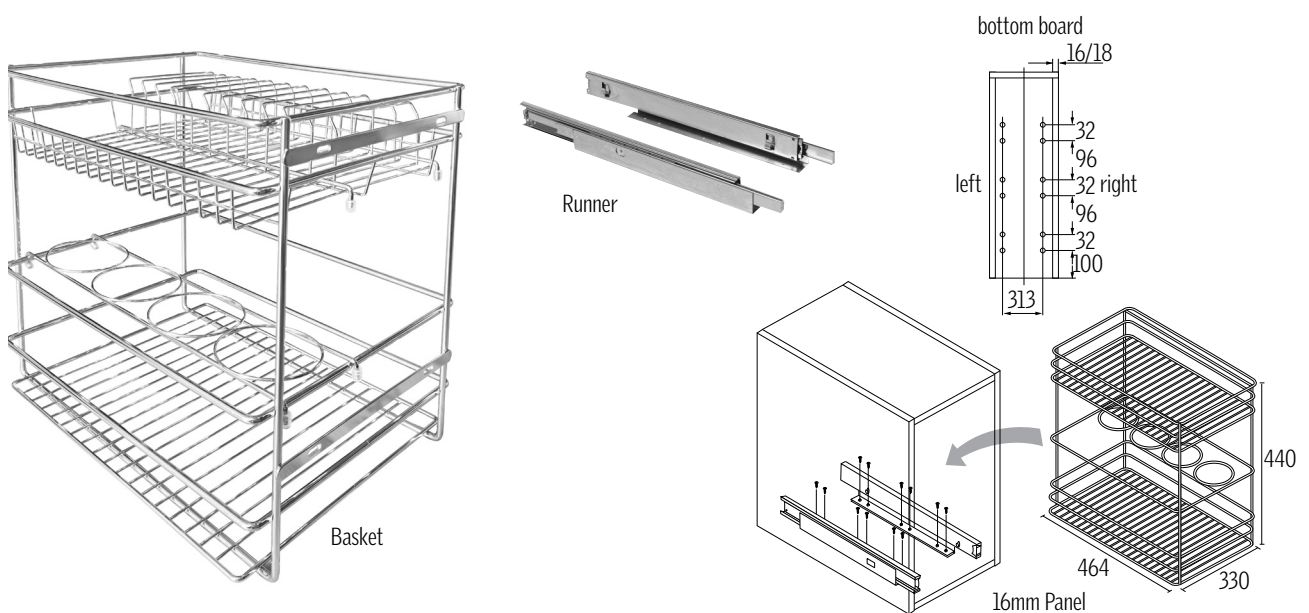
3 Layer Utility Basket



* All the measurement by millimeter (mm)

Model	Description	Loading Capacity	Material	Finishing	Cabinet Width	Dimension (W x D x H)	Unit Price
2021 008 045	A09931 Three Layer Utility Basket	10kg	Steel	Chrome	450	370 x 464 x 494	RM 373.00

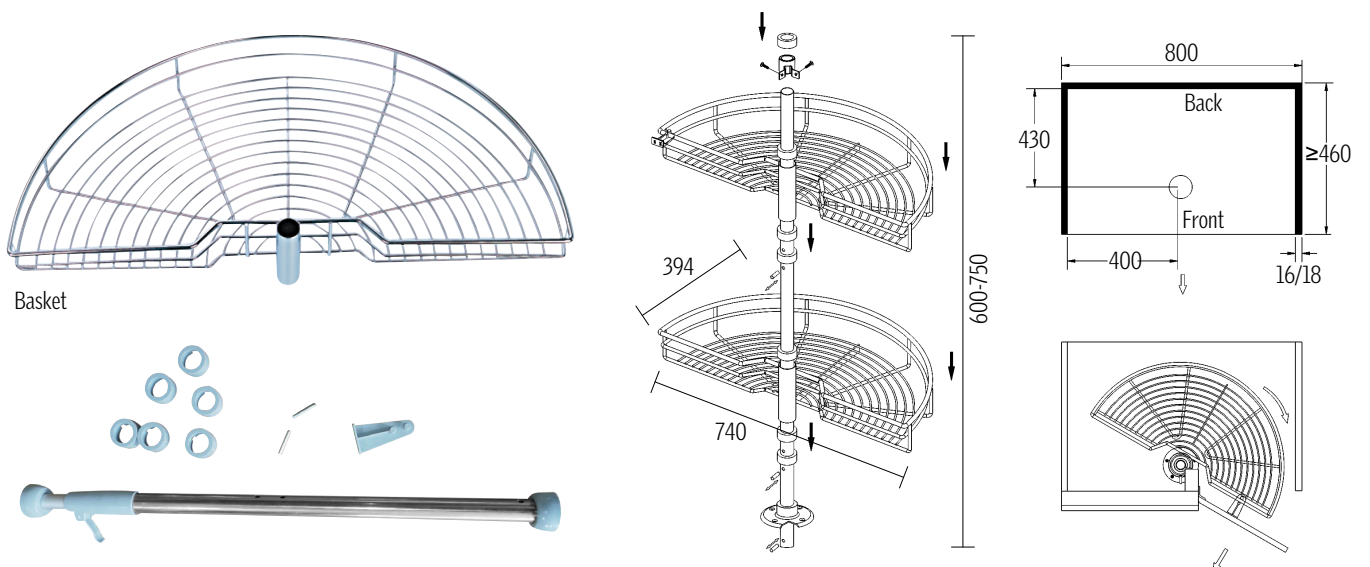
2 Layer Utility Basket



Model	Description	Loading Capacity	Material	Finishing	Cabinet (W)	Dimension (W x D x H)	Unit Price
2021 008 040	A09921 Two Layer Utility Basket	10kg	Steel	Chrome	400	330 x 464 x 443	RM 300.00

* All the measurement by millimeter (mm)

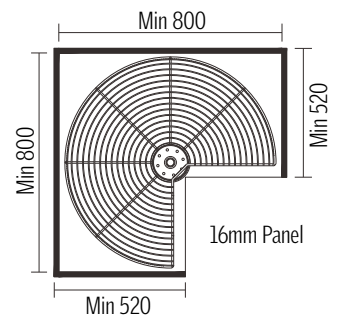
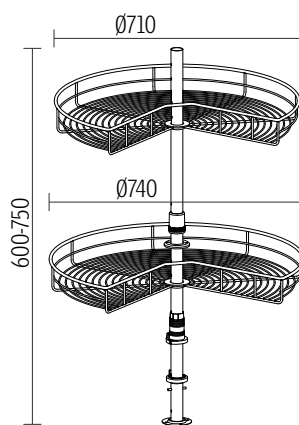
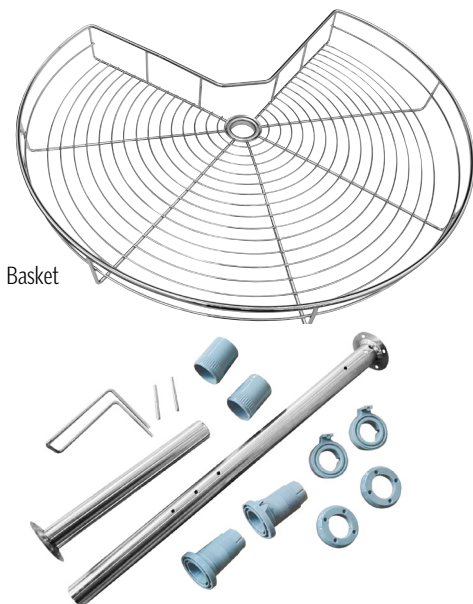
180° Swivel Basket Kit



* All the measurement by millimeter (mm)

Model	Description	Loading Capacity	Material	Finishing	Cabinet Width	Dimension (W x D x H)	Unit Price
2021 018 080	B08100 180° Swivel Basket Kit	5kg/Basket	Steel	Chrome	800	740 x 394 x 600-750	RM 300.00

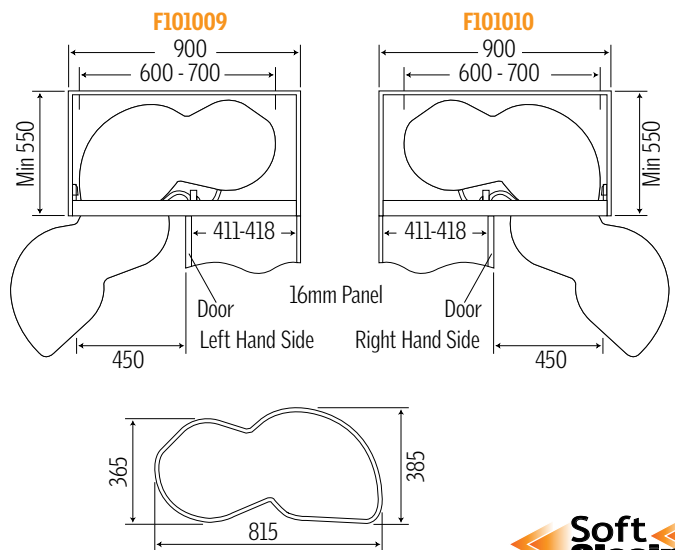
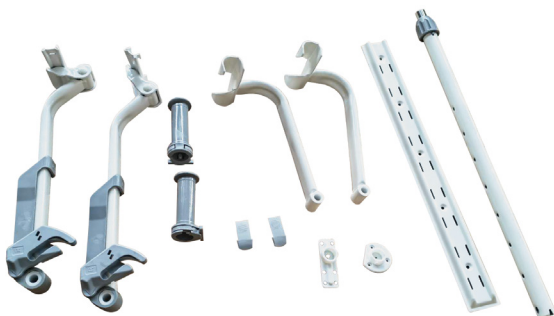
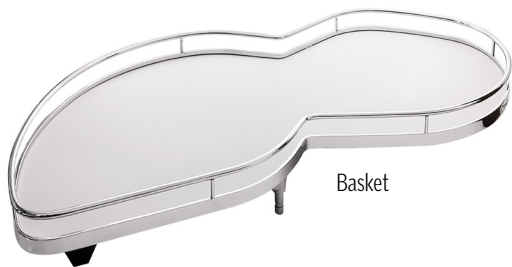
270° Pie-Cut Swivel Basket Kit



Model	Description	Loading Capacity	Material	Finishing	Cabinet (W)	Dimension (W x H)	Unit Price
2021 020 080	B08200 270° Pie-Cut Swivel Basket Kit	5kg/basket	Steel	Chrome	800	710 x 600-750 & 740 x 600-750	RM 360.00

* All the measurement by millimeter (mm)

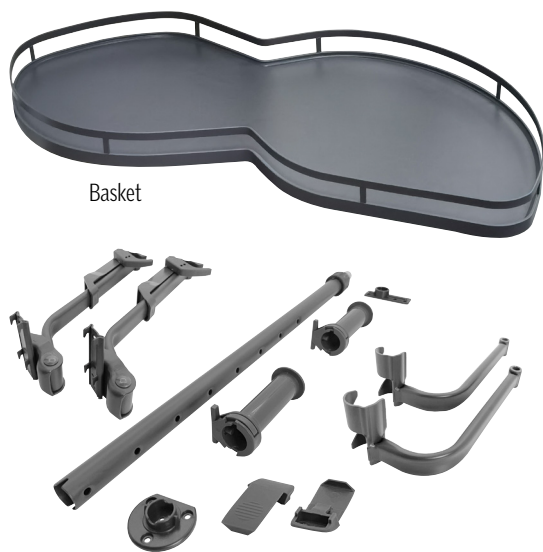
Soft Close Swing Tray (Chrome)



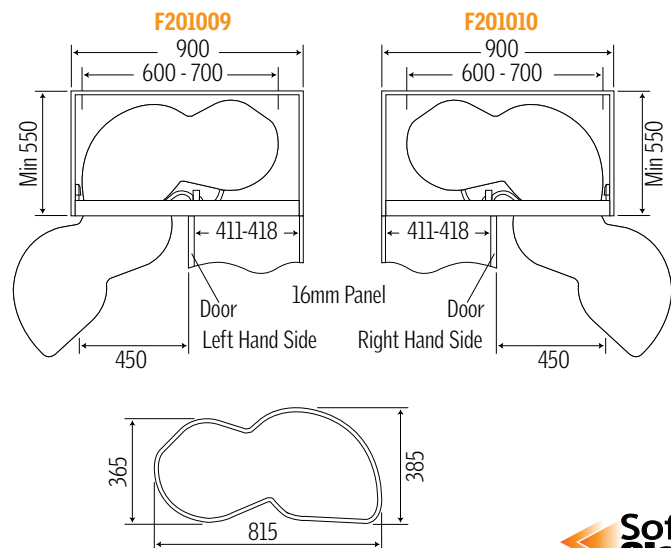
Model	Description	Loading Capacity	Material	Finishing	Cabinet (W)	Dimension (W x D x H)	Unit Price
2021 044 090	F101009 Swing Trays Left	10kg/Basket	Steel	Chrome	900	815 x 420 x 650-730	RM 900.00
2021 045 090	F101010 Swing Trays Right	10kg/Basket	Steel	Chrome	900	815 x 420 x 650-730	RM 900.00

* All the measurement by millimeter (mm)

Soft Close Swing Tray (Charcoal Grey)



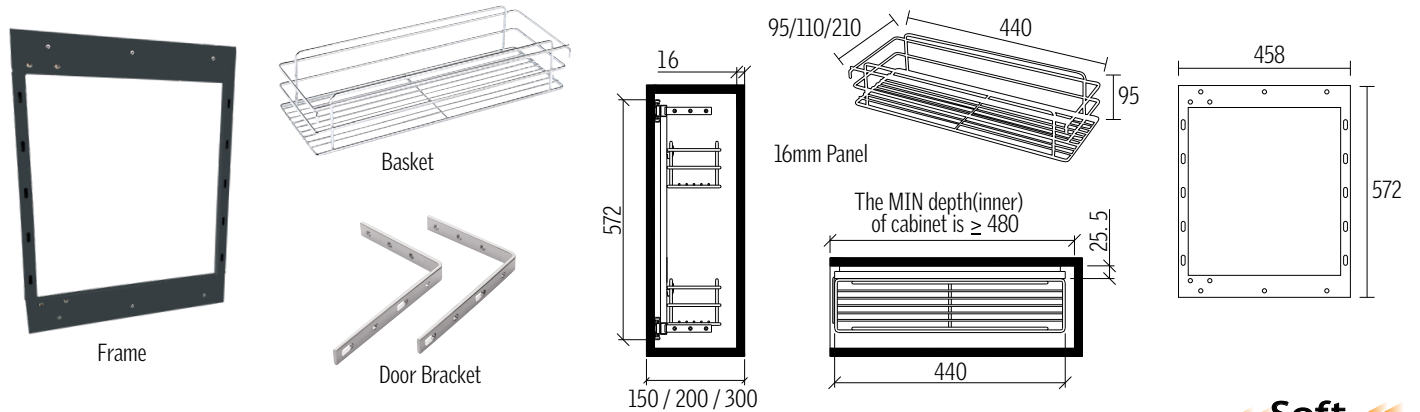
Basket



Model	Description	Loading Capacity	Material	Finishing	Cabinet Width	Dimension (W x D x H)	Unit Price
F201009	F201009 Dark Grey Swing Trays Left	10kg/Basket	Steel	Charcoal Grey	900	815 x 420 x 650-730	RM 900.00
F201010	F201010 Dark Grey Swing Trays Right	10kg/Basket	Steel	Charcoal Grey	900	815 x 420 x 650-730	RM 900.00

* All the measurement by millimeter (mm)

Soft Close Small Side Mounted Kit



* All the measurement by millimeter (mm)

Model	Description	Loading Capacity	Material	Finishing	Cabinet Width	Dimension (W x D x H)	Unit Price
BB715A	Side Mounted Kit c/w Ball Bearing Soft Close - Anthracite	5kg/Basket	Steel	Chrome	150	111 x 458 x 572	RM 234.00
BB720A	Side Mounted Kit c/w Ball Bearing Soft Close - Anthracite	5kg/Basket	Steel	Chrome	200	126 x 458 x 572	RM 252.00
BB730A	Side Mounted Kit c/w Ball Bearing Soft Close - Anthracite	5kg/Basket	Steel	Chrome	300	226 x 458 x 572	RM 273.00

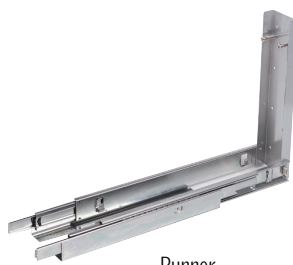
Space Genie Pull Out Basket



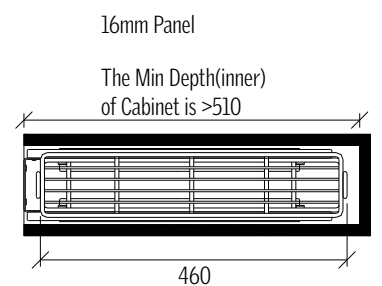
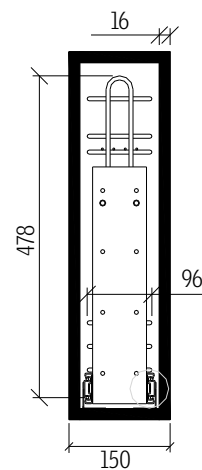
Basket



Roller



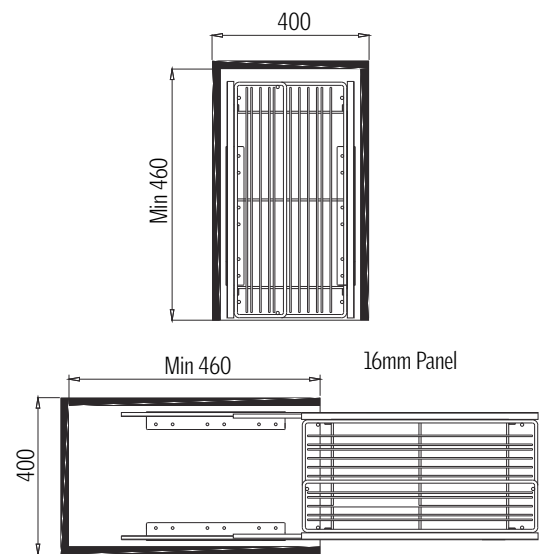
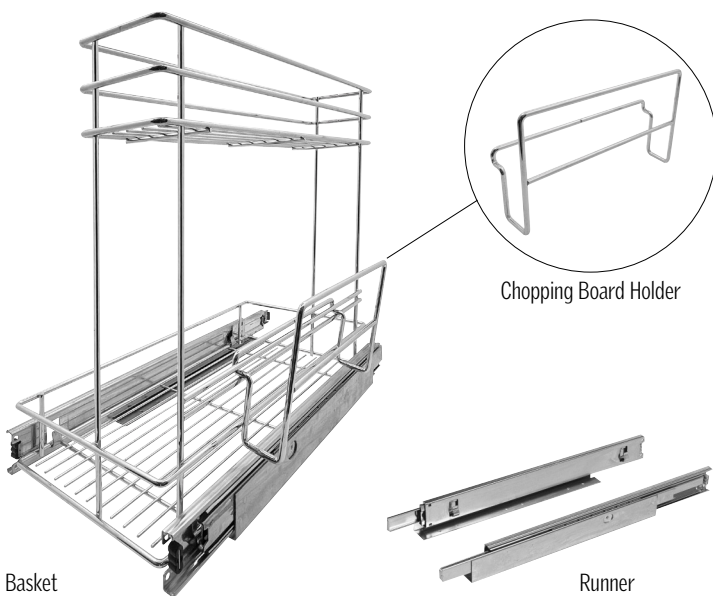
Runner



Model	Description	Loading Capacity	Material	Finishing	Cabinet Width	Dimension (W x D x H)	Unit Price
B07315A	Space Genie Pull Out Basket -Anthracite	10kg	Steel	Chrome	150	96 x 460 x 478	RM 225.00

* All the measurement by millimeter (mm)

Cleaning Material Pull Out Basket



* All the measurement by millimeter (mm)

Model	Description	Loading Capacity	Material	Finishing	Cabinet Width	Dimension (W x D x H)	Unit Price
2021 006 030	A09061 Cleaning Material Pull Out Basket	10kg	Steel	Chrome	400	215 x 450 x 398	RM 190.00

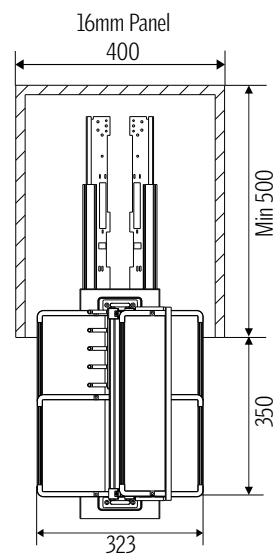
Soft Close Cleaning Material Basket



Basket



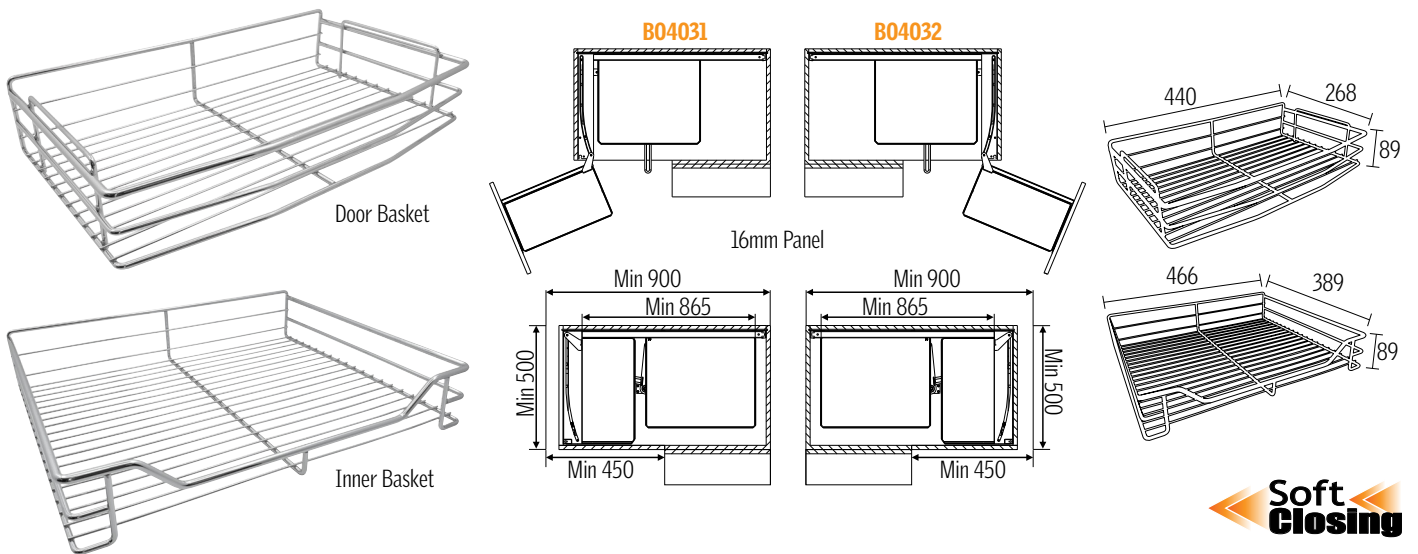
Runner



Model	Description	Loading Capacity	Material	Cabinet Width	Dimension (W x D x H)	Unit Price
HBC52535H	Cleaning Material Pull Out Basket	5kg (Upper Basket)	Aluminium + ABS + Stainless Steel	400	323 x 442 x 513	RM 595.00
		5kg (Middle Basket)				
		7kg (Lower Basket)				

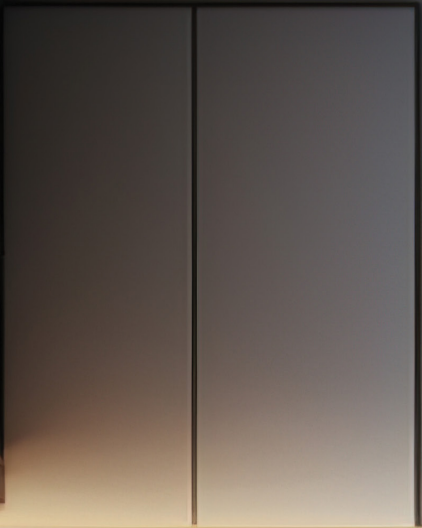
* All the measurement by millimeter (mm)

Soft Close Concord Corner Kit

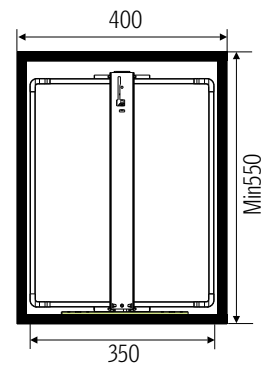
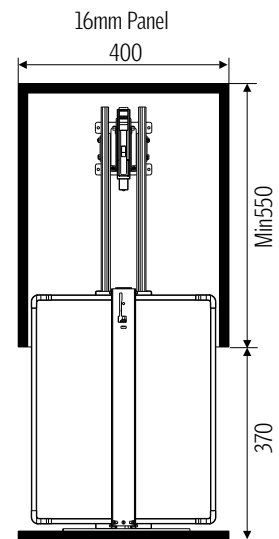
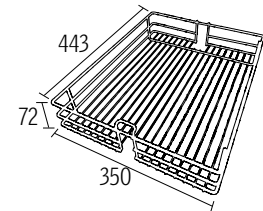
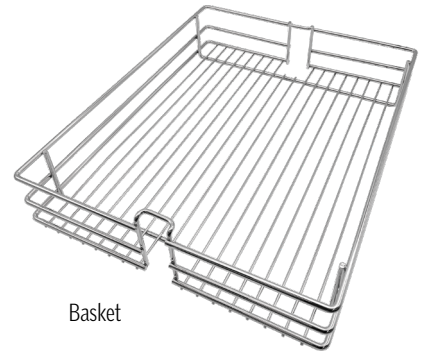


Model	Description	Loading Capacity	Material	Finishing	Cabinet Width	Dimension (W x D x H)	Unit Price
B04031	Concord Corner Left	5kg/Basket (Door)	Steel	Chrome	900	865x 500 x 525	RM 1028.00
		7kg/Basket (Inner)					
B04032	Concord Corner Right	5kg/Basket (Door)	Steel	Chrome	900	865x 500 x 525	RM 1028.00
		7kg/Basket (Inner)					

* All the measurement by millimeter (mm)



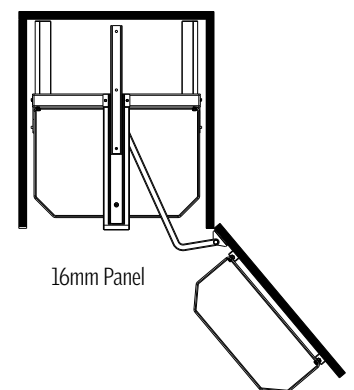
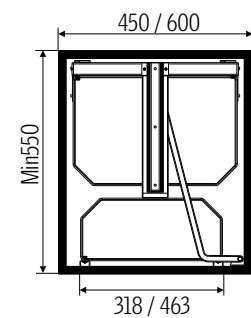
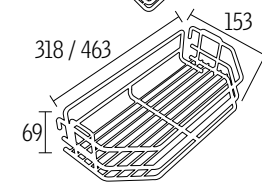
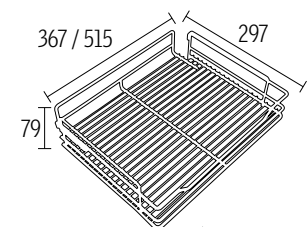
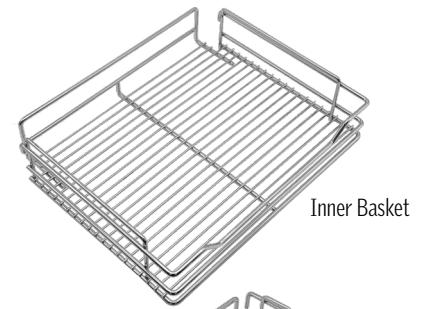
Soft Close Tall Larder



* All the measurement by millimeter (mm)

Model	Description	Loading Capacity	Material	Finishing	Cabinet Width	Internal Height	Unit Price
HBC43440	4 Basket	5kg/Basket	Steel	Chrome	400	1150-1450	RM 1023.00
HBC43640H	6 Basket	5kg/Basket	Steel	Chrome	400	1850-2150	RM 1275.00

Wire Deluxe Larder



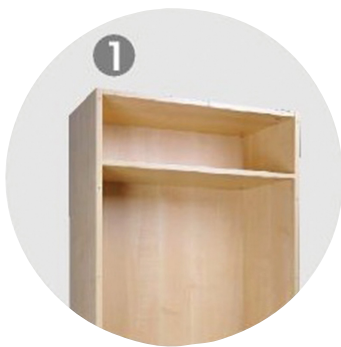
Model	Description	Loading Capacity	Material	Finishing	Cabinet Width	Internal Height	Unit Price
HBC42645H	12 Basket	3kg/Basket (Door)	Steel	Chrome	450	1850-2150	RM 1300.00
		5kg/Basket (Inner)					
HBC42660H	12 Basket	3kg/Basket (Door)	Steel	Chrome	600	1850-2150	RM 1500.00
		5kg/Basket (Inner)					

* All the measurement by millimeter (mm)

Roller Shutter Aluminium Champagne



Installation Guide



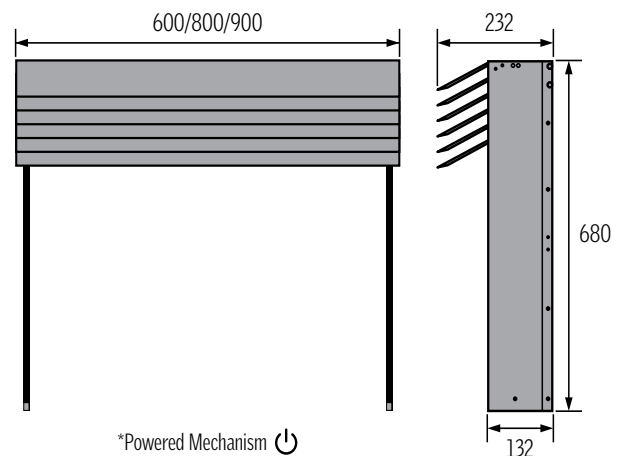
Model	Description	Material	Finishing	Carcase Width (W x H)	Unit Price
RS 600 x 1200	Roller Shutter Alum. W600*H1200mm Champagne	Aluminium	Champagne Colour	600 x 1200	RM 900.00
RS 600 x 1500	Roller Shutter Alum. W600*H1500mm Champagne	Aluminium	Champagne Colour	600 x 1500	RM 1000.00
RS 900 x 1200	Roller Shutter Alum. W900*H1200mm Champagne	Aluminium	Champagne Colour	900 x 1200	RM 1000.00
RS 900 x 1500	Roller Shutter Alum. W900*H1500mm Champagne	Aluminium	Champagne Colour	900 x 1500	RM 1100.00

* All the measurement by millimeter (mm)

Electric Louvered Glass Door



Wireless Controller

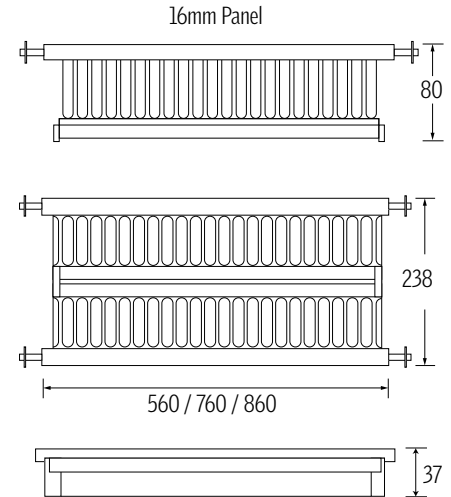


*Powered Mechanism

Model	Material	Cabinet Width	Dimension (W x D x H)	Power Adapter	Unit Price
TM51060	Aluminium + Tempered Glass	600	600 x 129 x 681	110V-220V	RM 2505.00
TM51080	Aluminium + Tempered Glass	800	800 x 129 x 681		RM 2655.00
TM51090	Aluminium + Tempered Glass	900	900 x 129 x 681		RM 2735.00

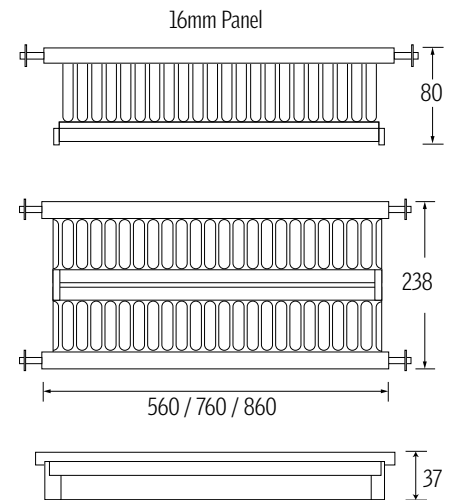
* All the measurement by millimeter (mm)

Wall Unit Inoxmatic Dish Rack (100% SUS304)



Model	Description	Material	Finishing	Cabinet Width	Dimension (W x D x H)	Unit Price
SB3604-600	SB3604-600mm Inoxmatic Dish Rack	S/Steel 304	Chrome	600	560 x 238 x 80	RM 120.00
SB3604-800	SB3604-800mm Inoxmatic Dish Rack	S/Steel 304	Chrome	800	760 x 238 x 80	RM 146.00
SB3604-900	SB3604-900mm Inoxmatic Dish Rack	S/Steel 304	Chrome	900	860 x 238 x 80	RM 159.00

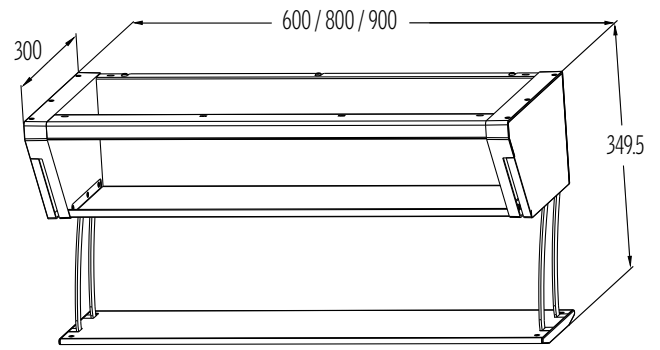
DR201-PB Dish Rack



Model	Description	Material	Finishing	Cabinet Width	Dimension (W x D x H)	Unit Price
DR201-PB-600mm	DR201-PB-600mm Dish Rack	S/Steel 201	Powder Coat	600	560 x 238 x 80	RM 95.00
DR201-PB-800mm	DR201-PB-800mm Dish Rack	S/Steel 201	Powder Coat	800	760 x 238 x 80	RM 115.00
DR201-PB-900mm	DR201-PB-900mm Dish Rack	S/Steel 201	Powder Coat	900	860 x 238 x 80	RM 125.00

* All the measurement by millimeter (mm)

Hidden Storage Box (Grey)



Model	Description	Loading Capacity	Material	Dimension (W x D x H)	Unit Price
4043004060	Hidden Storage Box (Grey) - 600mm	10kg	Aluminium + S/Steel	600 x 300 x 349.5	RM 688.00
4043004080	Hidden Storage Box (Grey) - 800mm	10kg	Aluminium + S/Steel	800 x 300 x 349.5	RM 735.00
4043004090	Hidden Storage Box (Grey) - 900mm	10kg	Aluminium + S/Steel	900 x 300 x 349.5	RM 755.00

D060 Stainless Steel Free Standing Dish Rack 600mm



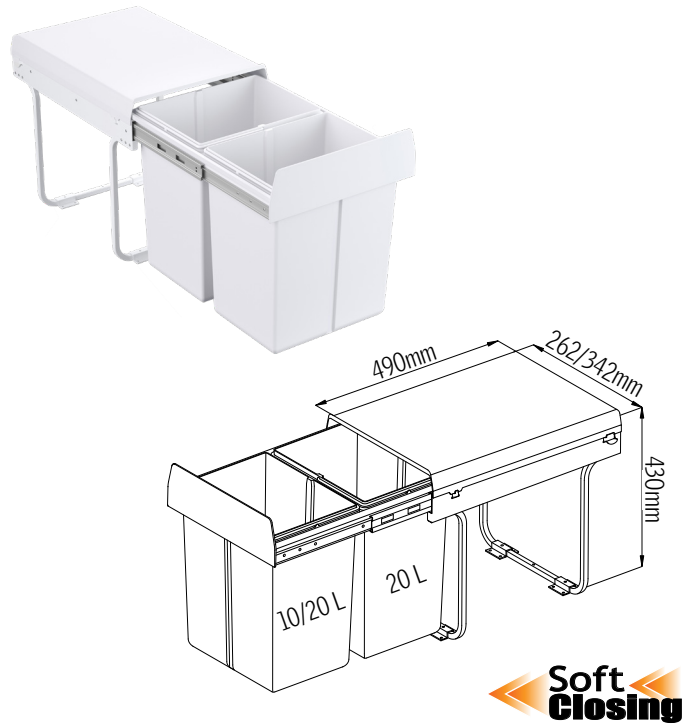
Model	D060
Dimension (W x D x H)	590 x 252 x 387
Material	Stainless Steel
Unit Price	RM 213.00

Additional Add On



Model	Description	Material	Dimension (W x D x H)	Unit Price
FA1004	Chopsticks Holder	S/Steel	155 x 55 x 160	RM 26.00
FA1005	Knife Holder	S/Steel	155 x 55 x 160	RM 26.00

Soft Close Waste Bin (White)



Model	Description	Capacity	Material	Colour	Cabinet (W)	Dimension (W x D x H)	Unit Price
TM3101	TM3101 Soft Close Waste Bin 300mm	10+20 liter	Plastic + Metal	White	300	262 x 490 x 420	RM 388.00
TM3102	TM3102 Soft Close Waste Bin 400mm	20+20 liter	Plastic + Metal		400	342 x 490 x 412	RM 447.00

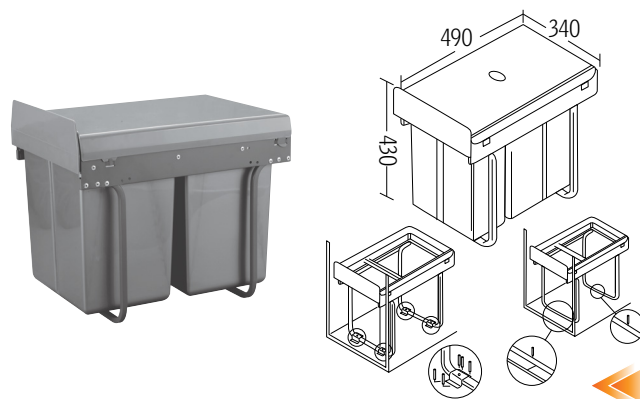
Round Waste Bin



Model	Description	Capacity	Material	Cabinet Width	Dimension (W x H)	Packing	Unit Price
4043 003 002	T3111 Built in Waste Bin S/Steel Small	8 liter	S/Steel + Plastic	400	255 x 310	1 set/ctn	RM 107.00
4043 005 001	T3115 Built in Waste Bin S/Steel Big	15 liter	S/Steel + Plastic	400	275 x 340	1 set/ctn	RM 138.00

* All the measurement by millimeter (mm)

Soft Close Square Waste Bin



Soft Closing

Model	Description	Capacity	Loading Capacity	Material	Colour	Cabinet (W)	Dimension (W x D x H)	Unit Price
4043 001 004	T3304 Light Grey Soft Close Waste Bin 400mm	20 liter	10kg	Plastic + Metal	Light Grey	400	340 x 490 x 430	RM 450.00

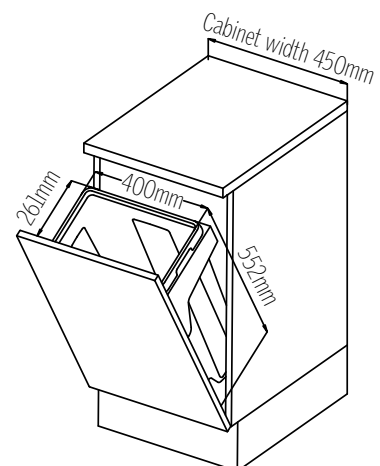
Soft Close Waste Bin (Dark Grey)



Soft Closing

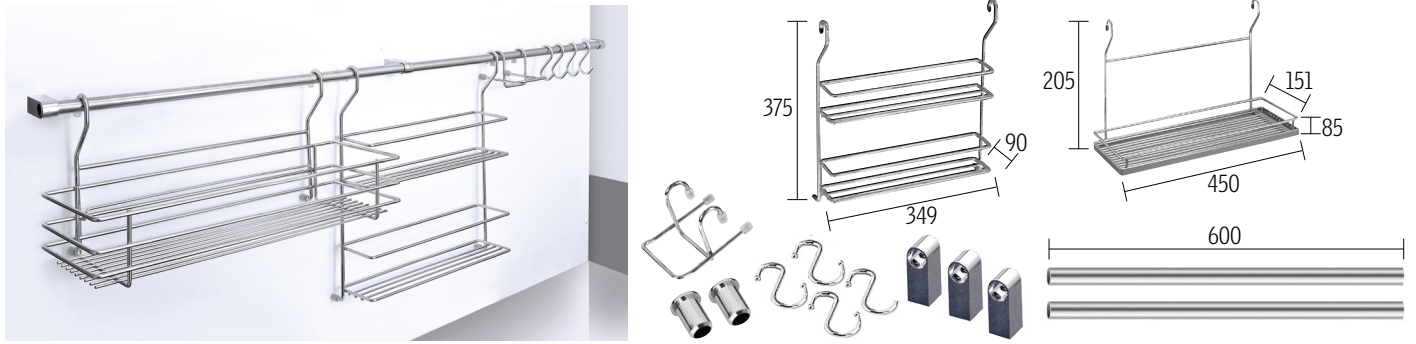
Model	Description	Capacity	Material	Colour	Cabinet (W)	Dimension (W x D x H)	Unit Price
TMT3303	TMT3303 Soft Close Waste Bin 300mm	2 x 14 liter	Plastic + Metal	Dark Grey	300	253 x 480 x 420	RM 430.00
TMT3304	TMT3304 Soft Close Waste Bin 400mm	2 x 20 liter	Plastic + Metal		400	335 x 480 x 420	RM 450.00
TMT3303/ TMT3304	TMT3303/TMT3304 Door Mounted Bracket	-	Powder Coat		-	-	RM48.00

Flip Down Waste Bin



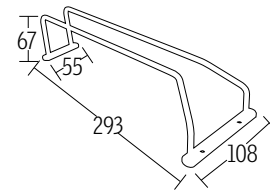
Model	Description	Capacity	Material	Colour	Cabinet (W)	Dimension (W x D x H)	Unit Price
TM3435	TM3435 Flip Down Waste Bin 35L	35 liter	Plastic + Metal	Dark Grey	450	400 x 261 x 552	RM 390.00

DIY Kitchen Railing Series 5



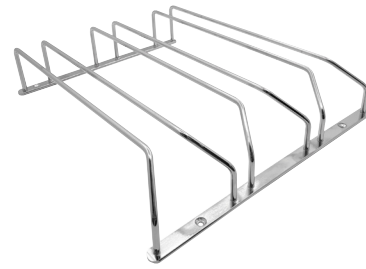
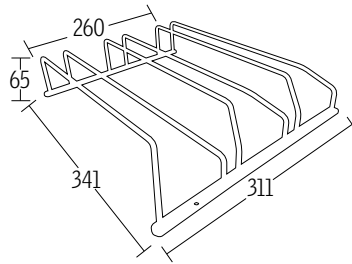
Model	Description	Finishing	Unit Price
4042 015 000	F 28505 DIY Railing Series 5	Stainless Steel	RM 345.00

Single Wine Glass Rack



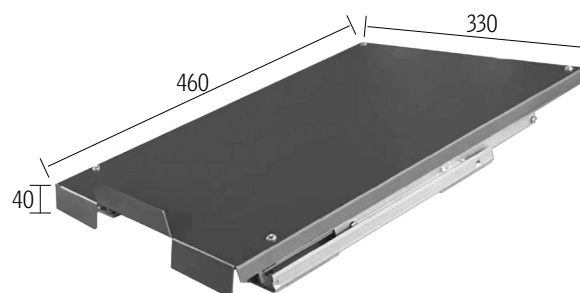
Model	Material	Dimension (W x D x H)	Unit Price
G100D	Metal + Chrome	108 x 293 x 67	RM 15.00

3 Rows Wine Glass Rack



Model	Material	Dimension (W x D x H)	Unit Price
G300	Metal + Chrome	311 x 341 x 65	RM 35.00

Gas Tank Holder c/w Soft Close Runner



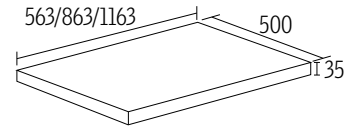
Model	Description	Loading Capacity	Cabinet Width	Dimension (W x D x H)	Unit Price
HBPJ0433	Gas Tank Holder c/w Soft Close Runner	30kg	400	330 x 460 x 40	RM 238.00



Black Aluminium Glass Shelf LED Light

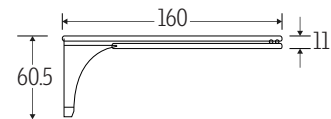


Remark:
Not include glass (≤4mm)



Model	Description	Colour Temperature	Wattage	Material	Cabinet Width	Dimension (W x D x H)	Unit Price
L4024-564	Glass Shelf LED Light (Not include LED Driver)	4500k	5.2 W	Aluminium	600	563 x 500 x 35	RM 245.00
L4024-864	Glass Shelf LED Light (Not include LED Driver)	4500k	8.2 W	Aluminium	900	863 x 500 x 35	RM 295.00
L4024-1164	Glass Shelf LED Light (Not include LED Driver)	4500k	10.6 W	Aluminium	1200	1163 x 500 x 35	RM 345.00

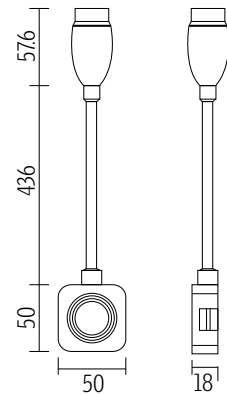
LED Touch Sensor Light (Under Cabinet Lighting)



Model	Description	Colour Temperature	Wattage	Dimension (W x D x H)	Unit Price
L3043105	LED Touch Sensor -Under Cabinet Application (Not include LED Driver)	4500k	3.5W	160 x 55 x 60.5	RM 95.00

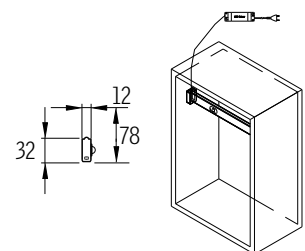
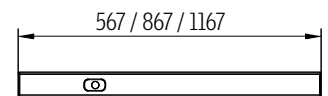
* All the measurement by millimeter (mm)

Bedroom Flexible Side Lamp



Model	Description	Colour Temperature	Wattage	Dimension (W x D x H)	Unit Price
B1005006	Bedroom Flexible Side Lamp	4500k	2 W	493 x 50 x 18	RM 182.00

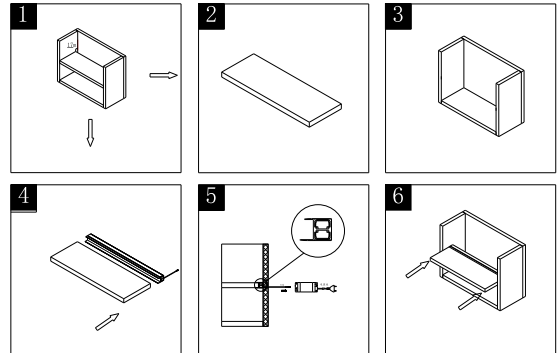
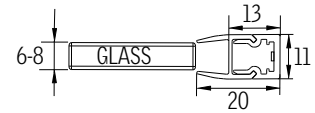
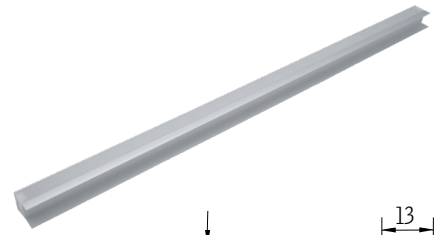
LED Hanging Rod PIR Sensor Light



Model	Description	Colour Temperature	Wattage	Cabinet Width	Dimension (W x D x H)	Unit Price
HL17116-564	LED Hanging Rod PIR Sensor Light (Not include LED Driver)	4000k	6 W	600	567 x 12 x 78	RM 142.00
HL17116-864	LED Hanging Rod PIR Sensor Light (Not include LED Driver)	4000k	9 W	900	867 x 12 x 78	RM 171.00
HL17116-1164	LED Hanging Rod PIR Sensor Light (Not include LED Driver)	4000k	12 W	1200	1167 x 12 x 78	RM 195.00

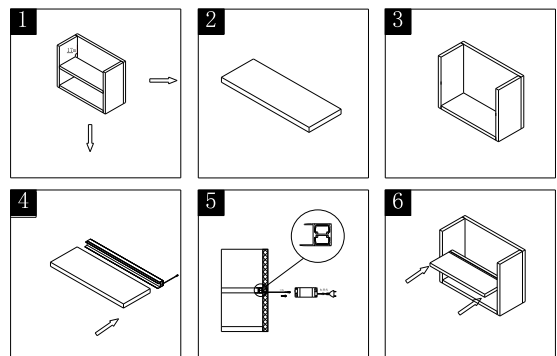
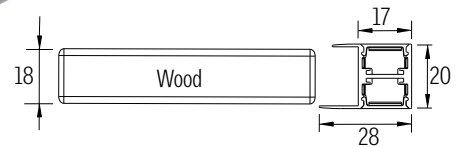
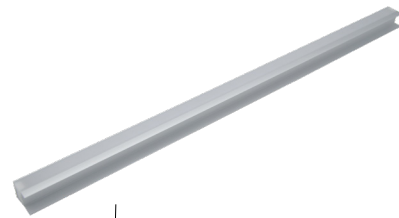
* All the measurement by millimeter (mm)

LED Glass Shelf Lighting



Model	Description	Colour Temperature	Wattage	Cabinet (W)	Dimension (W x D x H)	Unit Price
HL16113-564	LED Glass Shelf Lighting (Not include LED Driver)	4000K	6 W	600	564 x 20 x 11	RM 52.00
HL16113-864	LED Glass Shelf Lighting (Not include LED Driver)	4000K	9 W	900	864 x 20 x 11	RM 69.00

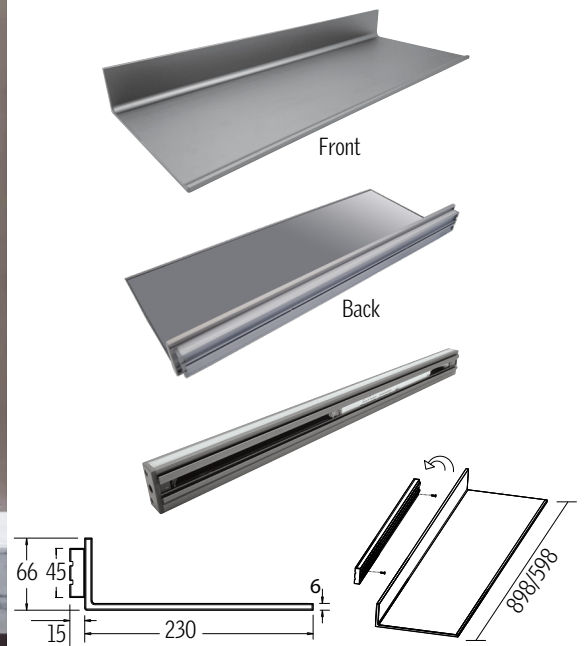
LED Wood Shelf Lighting



Model	Description	Colour Temperature	Wattage	Cabinet (W)	Dimension (W x D x H)	Unit Price
HL17112-567	LED Wood Shelf Lighting (Not include LED Driver)	4000K	11 W	600	567 x 28 x 20	RM 115.00
HL17112-867	LED Wood Shelf Lighting (Not include LED Driver)	4000K	16.5 W	900	867 x 28 x 20	RM 142.00

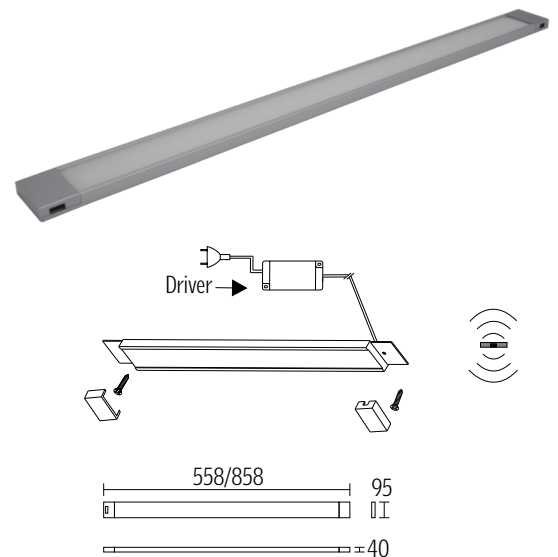
* All the measurement by millimeter (mm)

LED Lighting Shelf



Model	Description	Colour Temperature	Wattage	Cabinet Width	Dimension (W x D x H)	Unit Price
HL18131-600	LED Lighting Shelf c/w LED Driver	4000K	11 W	600	598 x 230 x 66	RM 586.00
HL18131-900	LED Lighting Shelf c/w LED Driver	4000K	16.5 W	900	898 x 230 x 66	RM 846.00

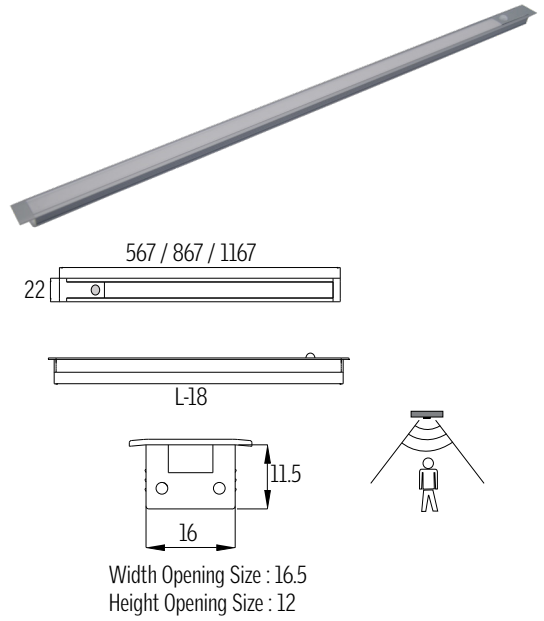
LED Cabinet Lighting With Double Side Infrared Sensor



Model	Description	Colour Temperature	Wattage	Cabinet Width	Dimension (W x D x H)	Unit Price
HL15108-560	LED Lighting With Double-Side Infrared Sensor (Not include LED Driver)	4000k	5 W	600	558 x 95 x 40	RM 197.00
HL15108-860	LED Lighting With Double-Side Infrared Sensor (Not include LED Driver)	4000k	8 W	900	858 x 95 x 40	RM 253.00

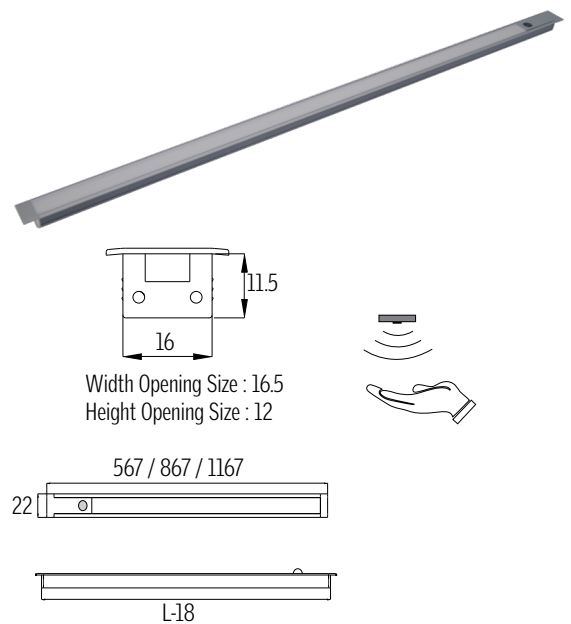
* All the measurement by millimeter (mm)

Conceal LED Light Bar PIR Sensor



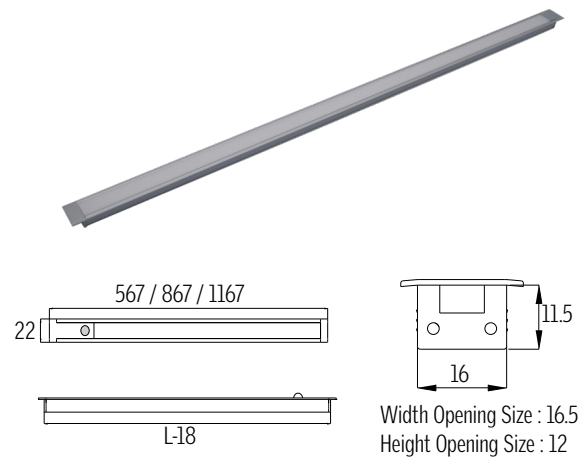
Model	Description	Colour Temperature	Wattage	Cabinet (W)	Dimension (W x D x H)	Unit Price
HL17103-567	Conceal LED Light Bar PIR Sensor (Not include LED Driver)	4000K	6 W	600	567 x 22 x 11.5	RM 119.00
HL17103-867	Conceal LED Light Bar PIR Sensor (Not include LED Driver)	4000K	9 W	900	867 x 22 x 11.5	RM 142.00
HL17103-1167	Conceal LED Light Bar PIR Sensor (Not include LED Driver)	4000K	12 W	1200	1167 x 22 x 11.5	RM 161.00

Conceal LED Light Bar Hand Sweep Sensor



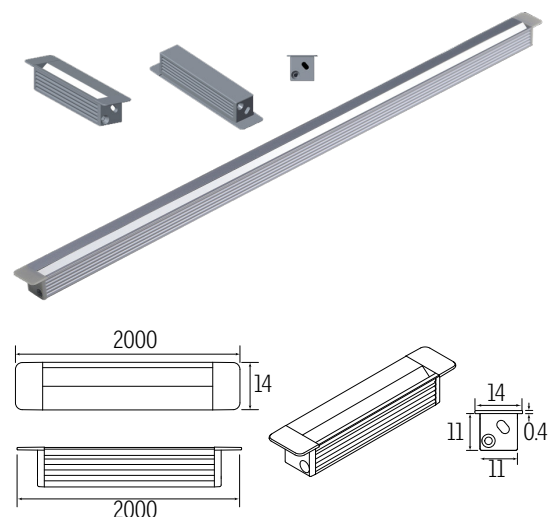
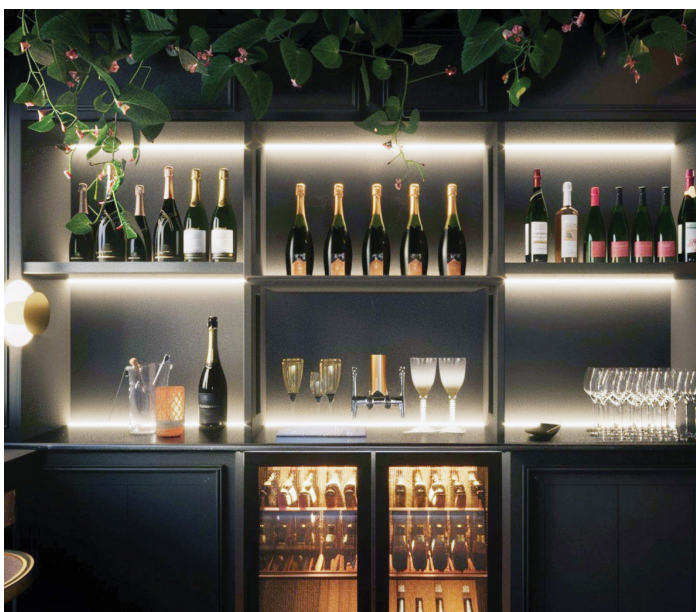
Model	Description	Colour Temperature	Wattage	Cabinet (W)	Dimension (W x D x H)	Unit Price
HL17104-567	Conceal LED Light Bar Hand Sweep Sensor (Not include LED Driver)	4000k	6 W	600	567 x 22 x 11.5	RM 119.00
HL17104-867	Conceal LED Light Bar Hand Sweep Sensor (Not include LED Driver)	4000k	9 W	900	867 x 22 x 11.5	RM 142.00
HL17104-1167	Conceal LED Light Bar Hand Sweep Sensor (Not include LED Driver)	4000k	12 W	1200	1167 x 22 x 11.5	RM 161.00

Conceal LED Light Bar



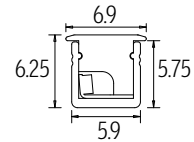
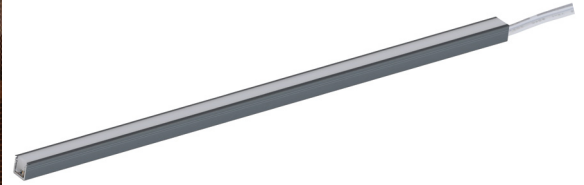
Model	Description	Colour Temperature	Wattage	Cabinet (W)	Dimension (W x D x H)	Unit Price
HL19107-567	Conceal LED Light Bar (Not include LED Driver)	4000K	6 W	600	567 x 22 x 11.5	RM 69.00
HL19107-867	Conceal LED Light Bar (Not include LED Driver)	4000K	9 W	900	867 x 22 x 11.5	RM 88.00
HL19107-1167	Conceal LED Light Bar (Not include LED Driver)	4000K	12 W	1200	1167 x 22 x 11.5	RM 107.00
HL19107-2000	Conceal LED Light Bar (Not include LED Driver)	4000K	21 W	2033	2000 x 22 x 11.5	RM 180.00
HL19107-2500	Conceal LED Light Bar (Not include LED Driver)	4000K	26 W	2533	2500 x 22 x 11.5	RM 225.00
HL19107-3000	Conceal LED Light Bar (Not include LED Driver)	4000K	32 W	3033	3000 x 22 x 11.5	RM 270.00
HL19107-EC	End Cap	-	-	-	-	RM 5.00

Conceal LED Light Bar



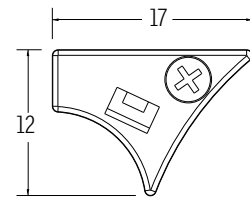
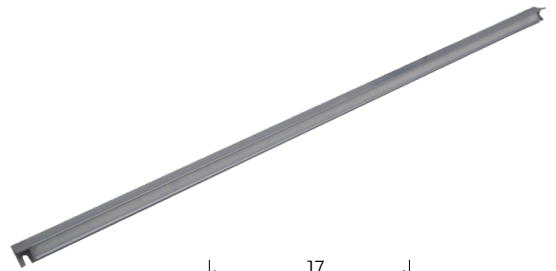
Model	Description	Colour Temperature	Wattage	Cabinet (W)	Dimension (W x D x H)	Unit Price
HL18410-567	Conceal LED Light Bar	4000K	6 W	600	567 x 14 x 12	RM 60.00
HL18410-867	Conceal LED Light Bar	4000K	9 W	900	867 x 14 x 12	RM 86.00
HL18410-1167	Conceal LED Light Bar	4000K	12 W	1200	1167 x 14 x 12	RM 112.00
HL18410-2000	Conceal LED Light Bar	4000K	21 W	2033	2000 x 14 x 12	RM 190.00
HL18410-2500	Conceal LED Light Bar	4000K	26 W	2533	2500 x 14 x 12	RM 250.00
HL18410-3000	Conceal LED Light Bar	4000K	32 W	3033	3000 x 14 x 12	RM 298.00
HL18410-END CAP	End Cap	-	-	-	-	RM 5.00

Slim Conceal LED Light Bar



Model	Description	Colour Temperature	Wattage	Dimension (W x D x H)	Unit Price
HL19235-567	Slim Conceal LED Light Bar	4000k	5 W	567 x 5.9 x 6.25	RM 70.00
HL19235-867	Slim Conceal LED Light Bar	4000k	5 W	867 x 5.9 x 6.25	RM 88.00
HL19235-1167	Slim Conceal LED Light Bar	4000k	6 W	1167 x 5.9 x 6.25	RM 99.00
HL19235-2000	Slim Conceal LED Light Bar	4000k	10 W	2000 x 5.9 x 6.25	RM 168.00
HL19235-2500	Slim Conceal LED Light Bar	4000k	12.5 W	2500 x 5.9 x 6.25	RM 208.00
HL19235-3000	Slim Conceal LED Light Bar	4000k	15 W	3000 x 5.9 x 6.25	RM 252.00

Triangle Shape LED Surface Light Bar



Model	Description	Colour Temperature	Wattage	Cabinet (W)	Dimension (W x D x H)	Unit Price
HL18117-567	Triangle Shape LED Surface Light Bar (Not include LED Driver)	4000K	6 W	600	567 x 17 x 12	RM 69.00
HL18117-867	Triangle Shape LED Surface Light Bar (Not include LED Driver)	4000K	9 W	900	867 x 17 x 12	RM 93.00
HL18117-1167	Triangle Shape LED Surface Light Bar (Not include LED Driver)	4000K	12 W	1200	1167 x 17 x 12	RM 128.00

* All the measurement by millimeter (mm)



Solderless LED Light Bar

	Model	Description	Colour Temperature	Wattage	Dimension (W x D x H)	Unit Price
	HL2202-3000	Solderless LED Light Bar	4000K	24 W	3000 x 12.5 x 10	RM 78.00

Solderless LED Light Bar


	Model	Description	Colour Temperature	Wattage	Dimension (W x D x H)	Unit Price
	HL2204-3000	Solderless LED Light Bar	4000K	24 W	3000 x 12.5 x 10	RM 78.00

Solderless LED Strip Connection


	Model	Description	Unit Price
	HLDC02	Solderless LED Strip Connection c/w End Cap + 2 Clip	RM 5.00

* All the measurement by millimeter (mm)

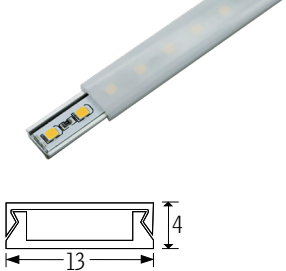
Surface LED Round Light

	Model	Description	Colour Temperature	Wattage	Dimension (Ø x H)	Unit Price
	HL13207	Surface LED Round Light	4000K	2.2 W	Ø72 x 10	RM 67.00

Conceal LED Light

	Model	Description	Colour Temperature	Wattage	Dimension (Ø x H)	Unit Price
	HL19210	Conceal LED Light Warm Light	4000K	1.8 W	Ø65 x 13	RM 43.00


T5 LED Light

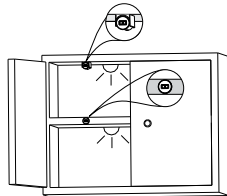
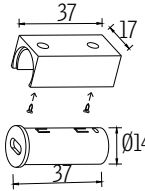
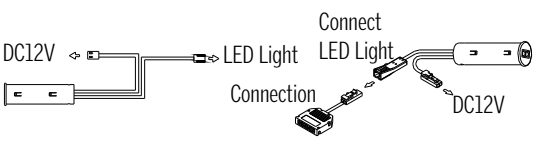
	Model	Description	Colour Temperature	Wattage	Dimension (W x D x H)	Unit Price
	HL15110-600	T5 LED Light	4000K	6.5 W	600 x 13 x 4	RM 34.00
	HL15110-900	T5 LED Light	4000K	9.5 W	900 x 13 x 4	RM 48.00
	HL15110-1200	T5 LED Light	4000K	12.5 W	1200 x 13 x 4	RM 65.00

LED Light Belt


	Model	Description	Colour Temperature	Wattage	Length	Unit Price
	SE-L8-2835-12-30K	LED Light Belt Yellow Light	3000K	7 W/Meter	5000	RM 155.00
	SE-L8-2835-12-40K	LED Light Belt Warm Light	4000K	7 W/Meter	5000	RM 155.00
	SE-L8-2835-12-60K	LED Light Belt White Light	6000K	7 W/Meter	5000	RM 155.00

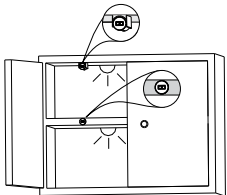
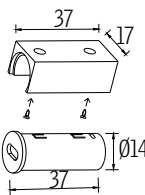
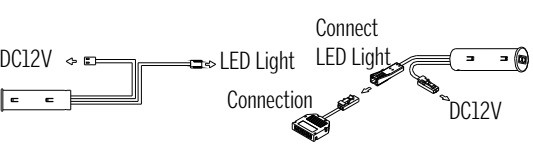
Infrared Sensor For LED Light

	Model	Description	Wattage	Dimension (W x H)	Unit Price
	HLGS13003	Infrared Sensor for LED Light	24 W	37 x 17	RM 55.00
	HLGS16003	Infrared Sensor for LED Light	60 W	37 x 17	RM 83.00

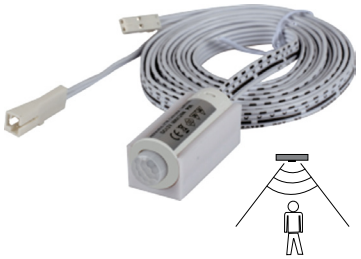




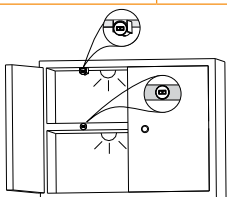
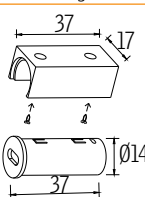
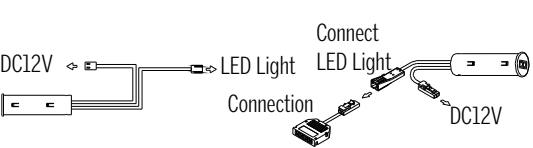
Hand Sweep Sensor For LED Light

	Model	Description	Wattage	Dimension (W x H)	Unit Price
	HLGS13004	Hand Sweep Sensor for LED Light	24 W	37 x 17	RM 55.00






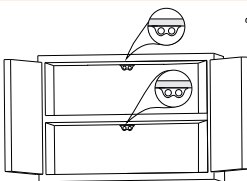
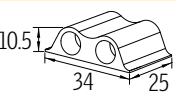
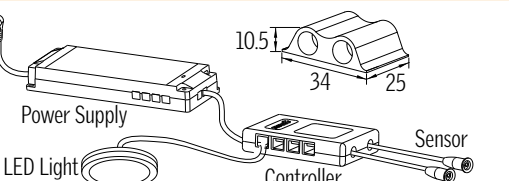
PIR Sensor For LED Light

	Model	Description	Wattage	Dimension (W x H)	Unit Price
	HLGS16005	PIR Sensor for LED Light	24 W	37 x 17	RM 60.00






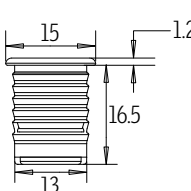
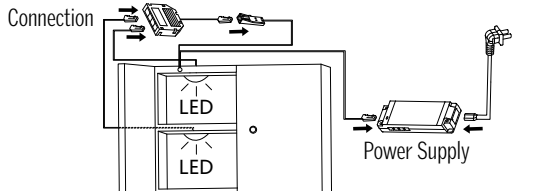
Infra-Red Sensor Receiver

	Model	Description	Wattage	Dimension (W x D x H)	Unit Price
	HLGS18048	Infra-Red Sensor Receiver	60 W	34 x 25 x 10.5	RM 98.00

Infra-red Sensor Switch

	Model	Description	Wattage	Dimension (Ø x H)	Unit Price
	HLGS19008	Infra-red Sensor Switch	24W	15 x 16.5	RM 60.00
	HLGS19018		60W		RM 90.00

Lighting Connection

	Model	Description	Length	Dimension (W x D x H x L)	Unit Price
	HLGSBOX609-4	Lighting Connection (4 Hole)	170	41 x 38 x 10 x 170	RM 12.00

Wireless Controller And Receiver

	Model	Description	Wattage	Length	Dimension (W x D x H x L)	Unit Price
	HLGS17009	LED Wireless Controller - Black	-	-	45 x 66 x 14	RM 125.00
	HLGS17013	Wireless Receiver - Black	60 W	165	65 x 47 x 13 x 165	RM 125.00

Extension Connector

	Model	Description	Length	Unit Price
	9915-B	Extension Connector	2000	RM 10.00

LED Strip Connection

	Model	Description	Length	Unit Price
	HLDC03	LED Strip Connection	1500	RM 10.00

Extension Connector for 2-in-1 Sensor

	Model	Description	Unit Price
	HLDC06	Extension Connector for 2-in-1 Sensor	RM 10.00

* All the measurement by millimeter (mm)

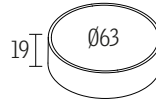
LED Wireless Controller



LED Wireless Controller
(HLGS18029)

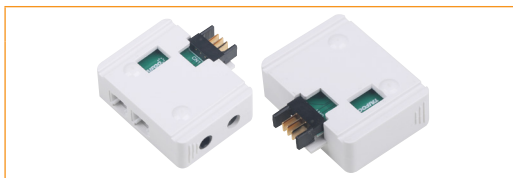


LED Wireless Receiver
(HLGS10013C)



Model	Description	Voltage	Dimension (Øx H)	Unit Price
HLGS18029	LED Rotary Controller	3V	63 x 19	RM 98.00

LED Wireless Receiver

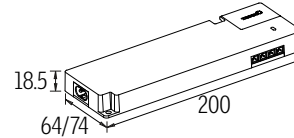


Model	Description	Unit Price
HLGS10013C	LED Wireless Receiver	RM 58.00

LED Driver



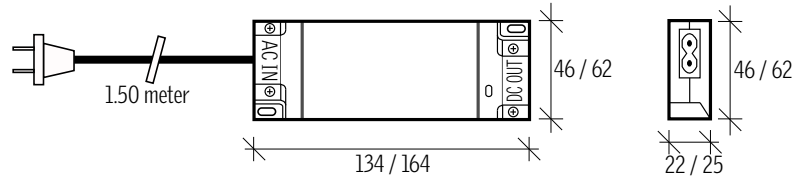
Model	Wattage	Dimension (W x D x H)	Unit Price
LED22016	60 W	200 x 64 x 18	RM 171.00
LED16010	100 W	200 x 74 x 18	RM 280.00



LED Driver



Model	Wattage	Dimension (W x D x H)	Unit Price
LED16001	15 W	134/164 x 46/62 x 22/25	RM 67.00
LED15015	30 W	134/164 x 46/62 x 22/25	RM 90.00



Semicircle-Shape Wire Trunking



Model	Description	Length	Unit Price
HL002	Semicircle-Shape Wire Trunking	1000	RM 9.00

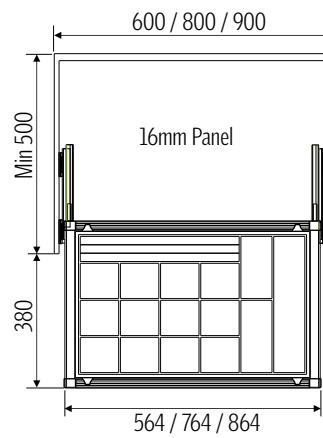
Triangle-Shape Wire Trunking



Model	Description	Length	Unit Price
HL003	Triangle-Shape Wire Trunking	1000	RM 9.00



Soft Close Jewelry Storage

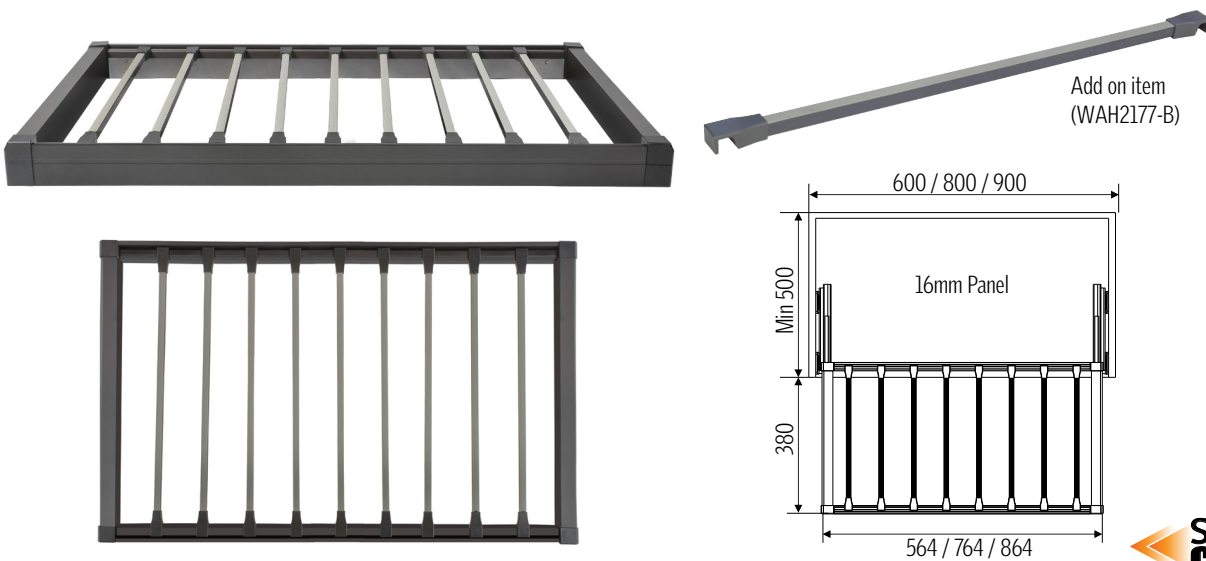


Soft Closing

Model	Description	Loading Capacity	Material	Finishing	Cabinet Width	Dimension (W x D x H)	Unit Price
WAH2106G-600	Soft Close Jewelry Storage	15 kg	Aluminium + Powder Coating	Dark Grey	600	564 x 478 x 73	RM 515.00
WAH2106G-800	Soft Close Jewelry Storage	15 kg	Aluminium + Powder Coating	Dark Grey	800	764 x 478 x 73	RM 605.00
WAH2106G-900	Soft Close Jewelry Storage	15 kg	Aluminium + Powder Coating	Dark Grey	900	864 x 478 x 73	RM 635.00

* All the measurement by millimeter (mm)

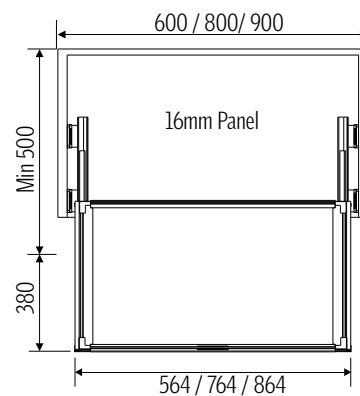
Soft Close Trouser Rack



* All the measurement by millimeter (mm)

Model	Description	Loading Capacity	Material	Finishing	Cabinet Width	Dimension (W x D x H)	Unit Price
WAH2177G-600	Soft Close Trouser Rack	15 kg	Aluminium + Powder Coating	Dark Grey	600	564 x 478 x 53	RM 345.00
WAH2177G-800	Soft Close Trouser Rack	15 kg	Aluminium + Powder Coating	Dark Grey	800	764 x 478 x 53	RM 380.00
WAH2177G-900	Soft Close Trouser Rack	15 kg	Aluminium + Powder Coating	Dark Grey	900	864 x 478 x 53	RM 395.00
WAH2177-B	Trouser Rack Bar Only	-	Aluminium + Powder Coating	Dark Grey	-	-	RM 20.00

Soft Close Glass Storage Rack

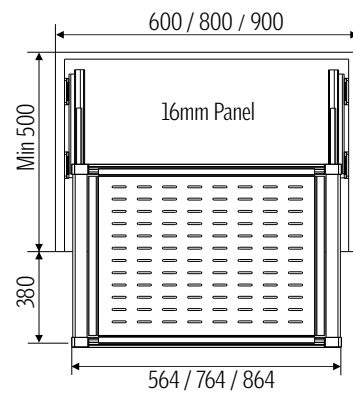
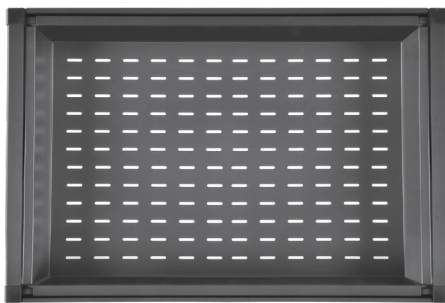
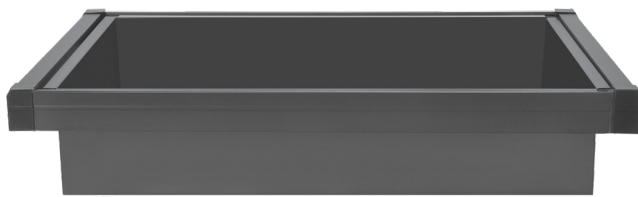


Soft Closing

Model	Description	Loading Capacity	Material	Finishing	Cabinet Width	Dimension (W x D x H)	Unit Price
WAH2108G-600	Soft Close Glass Storage Rack	15 kg	Aluminium + Powder Coating	Dark Grey	600	564 x 478 x 137	RM 435.00
WAH2108G-800	Soft Close Glass Storage Rack	15 kg	Aluminium + Powder Coating	Dark Grey	800	764 x 478 x 137	RM 498.00
WAH2108G-900	Soft Close Glass Storage Rack	15 kg	Aluminium + Powder Coating	Dark Grey	900	864 x 478 x 137	RM 523.00

* All the measurement by millimeter (mm)

Soft Close Storage Rack

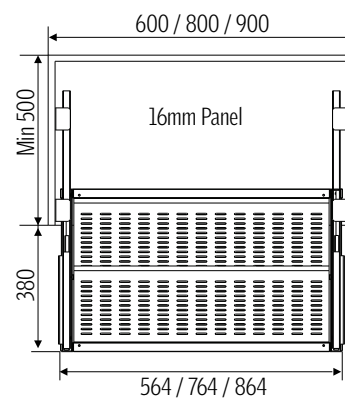


* All the measurement by millimeter (mm)



Model	Description	Loading Capacity	Material	Finishing	Cabinet Width	Dimension (W x D x H)	Unit Price
WAH2101G-600	Soft Close Storage Rack	15 kg	Aluminium + Powder Coating	Dark Grey	600	564 x 478 x 145	RM 466.00
WAH2101G-800	Soft Close Storage Rack	15 kg	Aluminium + Powder Coating	Dark Grey	800	764 x 478 x 145	RM 535.00
WAH2101G-900	Soft Close Storage Rack	15 kg	Aluminium + Powder Coating	Dark Grey	900	864 x 478 x 145	RM 551.00

Soft Close Shoe Rack



Soft Closing

Model	Description	Loading Capacity	Material	Finishing	Cabinet Width	Dimension (W x D x H)	Unit Price
WAH2104C-600	Soft Close Shoe Rack	15 kg	Aluminium + Powder Coating	Dark Grey	600	564 x 478 x 160	RM 461.00
WAH2104C-800	Soft Close Shoe Rack	15 kg	Aluminium + Powder Coating	Dark Grey	800	764 x 478 x 160	RM 535.00
WAH2104C-900	Soft Close Shoe Rack	15 kg	Aluminium + Powder Coating	Dark Grey	900	864 x 478 x 160	RM 551.00

* All the measurement by millimeter (mm)

Slide Mirror Set



Model	Description	Dimension (W x H)	Unit Price
3031007120	WAH4512 Slide Mirror Set	450 x 1200	RM 338.00

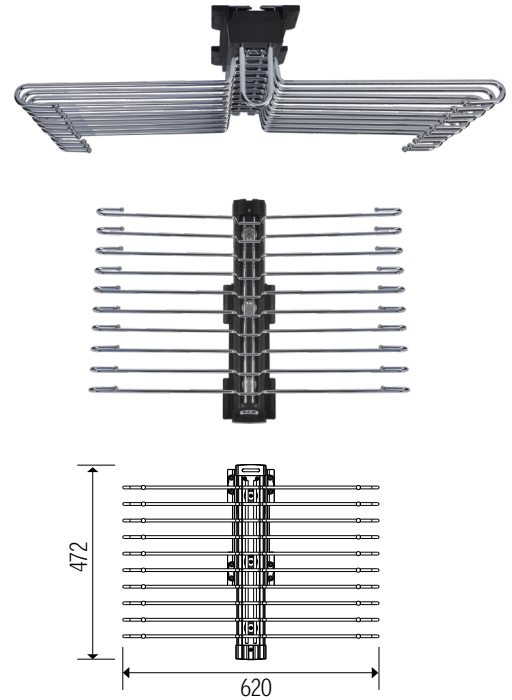
Smart Safe Box With Fingerprint/Password c/w Jewelry Storage



Model	Description	Finishing	Dimension (W x D x H)	Unit Price
WAH222-600	Smart Safe Box With Fingerprint/Password c/w Jewelry Storage	Dark Grey	564 x 400 x 150	RM 1138.00
WAH222-800	Smart Safe Box With Fingerprint/Password c/w Jewelry Storage		764 x 400 x 150	RM 1378.00
WAH222-900	Smart Safe Box With Fingerprint/Password c/w Jewelry Storage		864 x 400 x 150	RM 1498.00

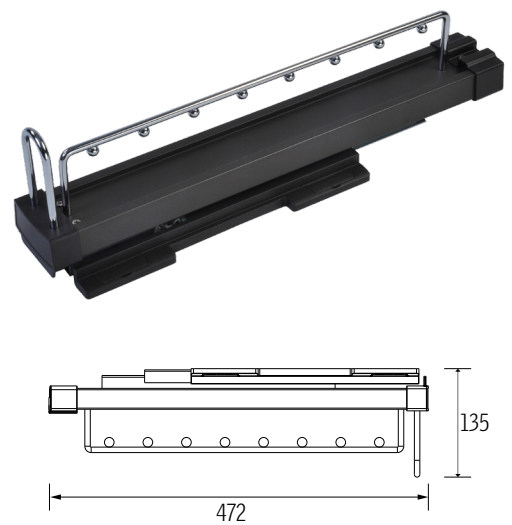
* All the measurement by millimeter (mm)

Soft Close Top Pants Rack



Model	Description	Loading Capacity	Finishing	Cabinet Width	Dimension (W x D x H)	Unit Price
WAH2103	Top Pants Rack	10 kg	Charcoal Grey	800	620 x 472 x 135	RM 336.00

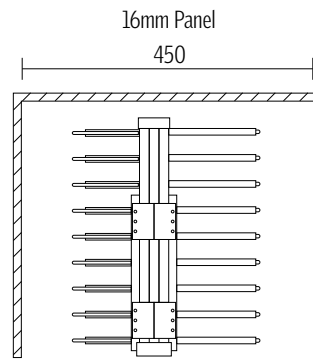
Soft Close Coat Hanger



Model	Description	Loading Capacity	Finishing	Cabinet Width	Dimension (W x D x H)	Unit Price
WAH2109	Single Extension Slide Coat Hanger	10 kg	Charcoal Grey	600	113 x 472 x 135	RM 192.00

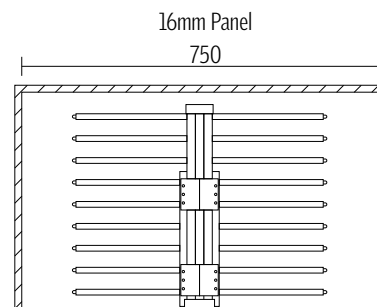
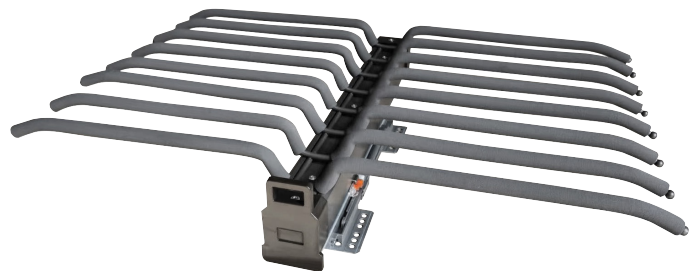
* All the measurement by millimeter (mm)

Top Mounted Pants Rack (V Shape)



Model	Description	Material	Finishing	Cabinet Width	Dimension (W x D x H)	Unit Price
WAH2113G	Top Mounted Pants Rack (V Shape)	Nano Dry	Dark Grey	500	350 x 445 x 145	RM 285.00

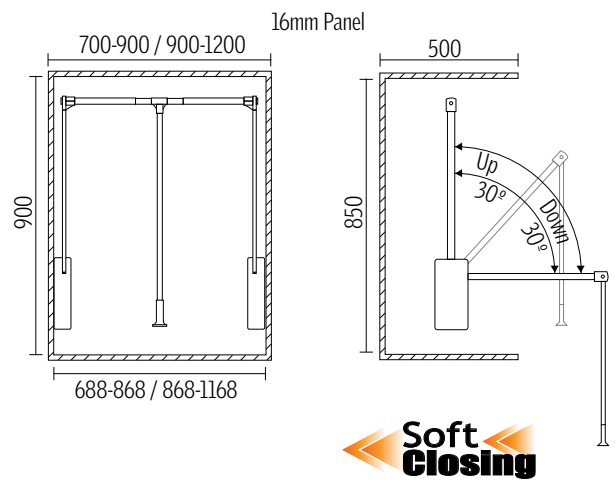
Top Mounted Pants Rack (Two Row)



Model	Description	Material	Colour	Cabinet Width	Dimension (W x D x H)	Unit Price
WAH2112G	Top Mounted Pants Rack (Two Row)	Nano Dry	Dark Grey	750	635 x 450 x 110	RM 330.00

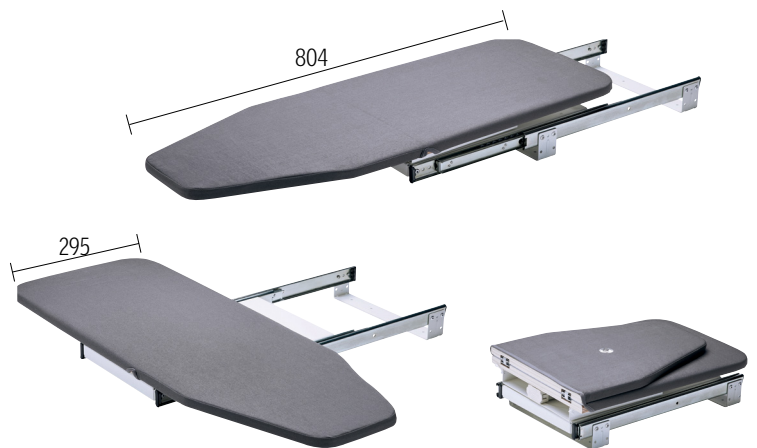
* All the measurement by millimeter (mm)

Up & Down Soft Close Hanger



Model	Description	Loading Capacity	Material	Finishing	Cabinet Width	Dimension (W x D x H)	Unit Price
WAH29115G-900	Up & Down Soft Close Hanger	7 kg	Aluminium	Dark Grey	700-900	650-910 x 140 x 840	RM 330.00
WAH29115G-1200	Up & Down Soft Close Hanger	7 kg	Aluminium	Dark Grey	900-1200	880-1260 x 140 x 840	RM 360.00

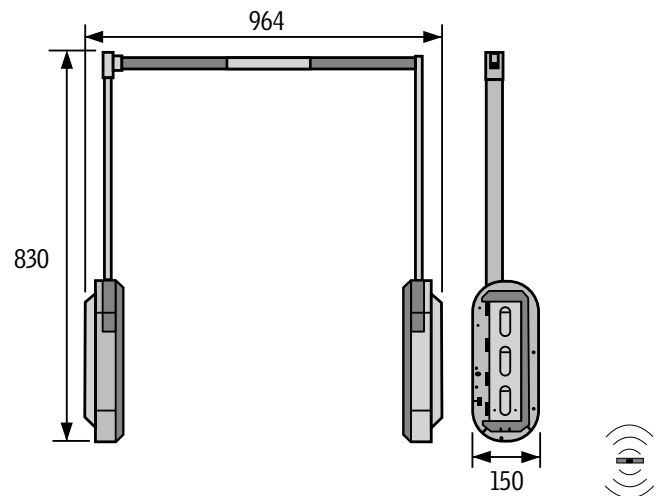
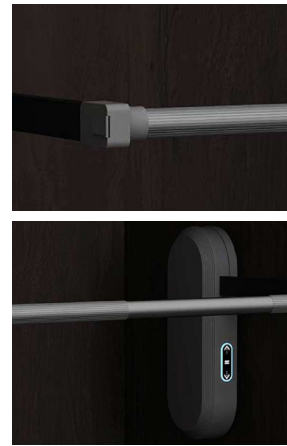
Deluxe Iron Board



Model	Description	Finishing	Dimension (W x D x H)	Unit Price
WAH2128G	Deluxe Iron Board	Dark Grey	295 x 430 x 140	RM 520.00

* All the measurement by millimeter (mm)

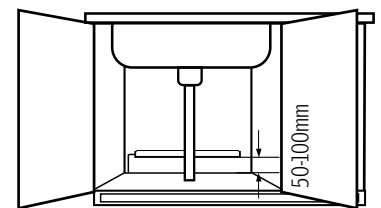
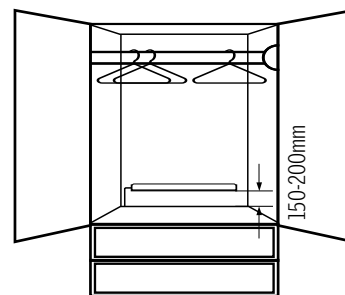
Electric Up & Down Hanger



*Infrared Obstacle Avoidance Sensor

Model	Description	Loading Capacity	Material	Finishing	Dimension (W x D x H)	Power Adapter	Unit Price
WAH59115	Electric Up & Down Hanger	15 kg	Aluminium Alloy	Flurocarbon	(564-964) x 150 x 830	110v-220v	RM 2200.00

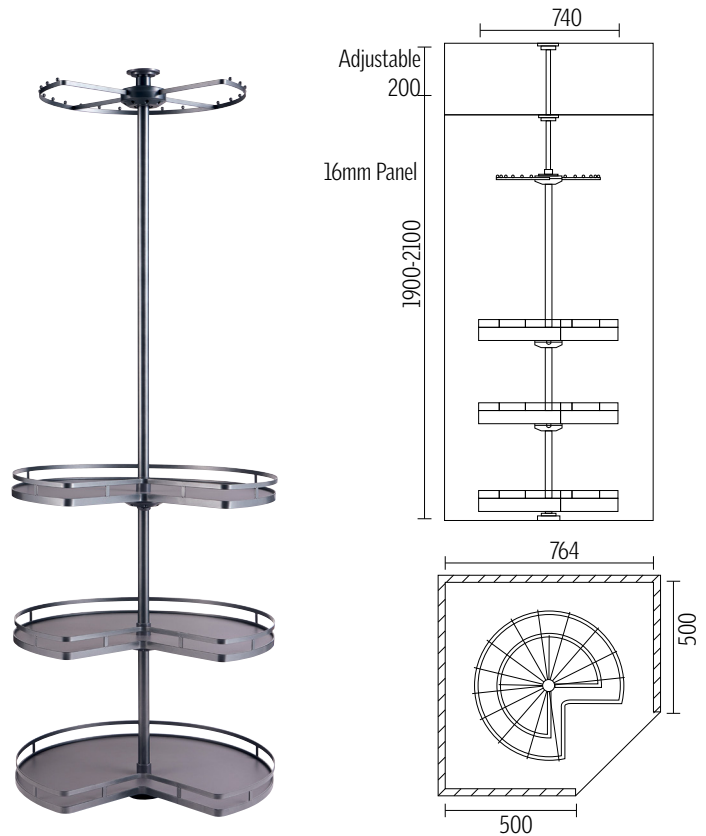
Dehumidifier Rod



Model	Description	Dimension (W x D x H)	Power Consumption	Power Output	Space (m ³)	Unit Price
TM-DR-305	TM-DR-305 Dehumidifier Rod	305 x 35 x 35	24W/220V	9 W	0.7	RM 430.00
TM-DR-457	TM-DR-457 Dehumidifier Rod	457 x 35 x 35		15 W	0.7	RM 490.00
TM-DR-610	TM-DR-610 Dehumidifier Rod	610 x 35 x 35		22 W	1.0	RM 515.00
TM-DR-700	TM-DR-700 Dehumidifier Rod	700 x 35 x 35		38 W	1.0	RM 595.00
TM-DR-915	TM-DR-915 Dehumidifier Rod	915 x 35 x 35		42 W	1.3	RM 695.00

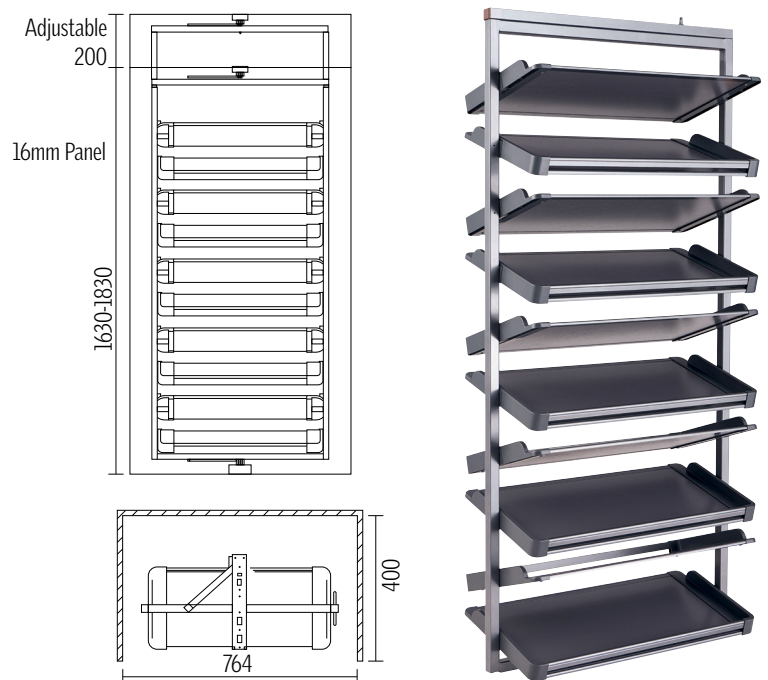
* All the measurement by millimeter (mm)

4 Layer of Rotating Basket



Model	Description	Material	Finishing	Cabinet Width	Dimension (W x D x H)	Unit Price
WAH29118C	4 Layer of Rotating Basket	Nano Dry	Dark Grey	800	680 x 680 x 1900-2100	RM 1080.00

10 Layer 360° Rotating Shoe Rack



Model	Description	Material	Finishing	Cabinet Width	Dimension (W x D x H)	Unit Price
WAH2116G	10 Layer 360° Rotating Shoe Rack	Aluminium	Dark Grey	800	700 x 360 x 1630-1830	RM 1580.00

* All the measurement by millimeter (mm)



Square Tube

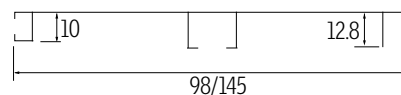
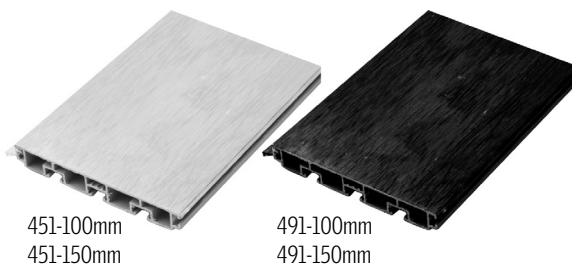
Model	Model	Description	Material	Unit Price
3031 028 300	1230B-3m	Square Tube c/w Rubber (Black) 3000mm	PVC + Aluminium	RM 61.00
3031 028 301	1230B-ASH	Square Tube Adjustable Side Holder (Black)	Zinc Alloy	RM 6.50
3031 028 302	1230B-ACH	Square Tube Adjustable Center Holder (Black)	Zinc Alloy	RM 6.50
3031 028 303	1230B-SH(S)	Square Tube Side Holder (Black)	Zinc Alloy	RM 2.00
3031 028 304	1230B-SH(B)	Square Tube Side Holder (Black)	Zinc Alloy	RM 6.60

Oval Tube

Model	Description	Material	Dimension (W x D x H)	Unit Price
OVT4	OVT4 x 4 meter Oval Tube 4000mm - N.A	Aluminium	4000 x 15.6 x 30	RM 51.00
OVT4-PB	OVT4-PB x 4 meter Oval Tube 4000mm - Powder Coat Black	Aluminium	4000 x 15.6 x 30	RM 70.00
XSK08-B	Oval Tube Holder - Black	Zinc Alloy	20 x 11.5 x 43	RM 1.50
XSK08-C	Oval Tube Holder - Chrome	Zinc Alloy	20 x 11.5 x 43	RM 1.30
XSK08C-B	Oval Tube Adjustable Center Holder - Black	Zinc Alloy	44.5 x 18 x 81.5-105.5	RM 6.50
XSK08C-C	Oval Tube Adjustable Center Holder - Chrome	Zinc Alloy	44.5 x 18 x 81.5-105.5	RM 6.50

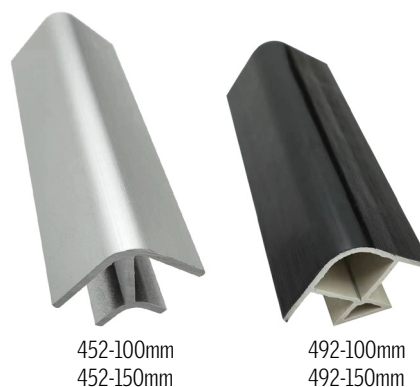
* All the measurement by millimeter (mm)

Cabinet Skirting



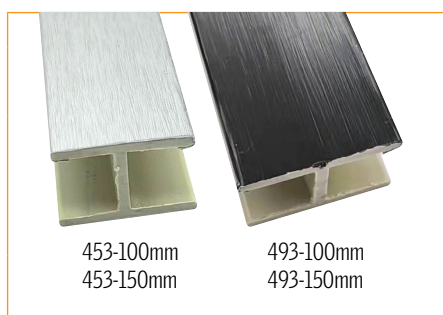
Model	Description	Material	Colour	Dimension (L x H)	Unit Price
4043 100 010	451-100mm*4m Cabinet Skirting	PVC	Silver	4m x 100	RM 58.00
4043 100 015	451-150mm*4m Cabinet Skirting			4m x 150	RM 90.00
491-100	491-100mm*4m Cabinet Skirting		Black	4m x 100	RM 75.00
491-150	491-150mm*4m Cabinet Skirting			4m x 150	RM 110.00

Cabinet Skirting Corner



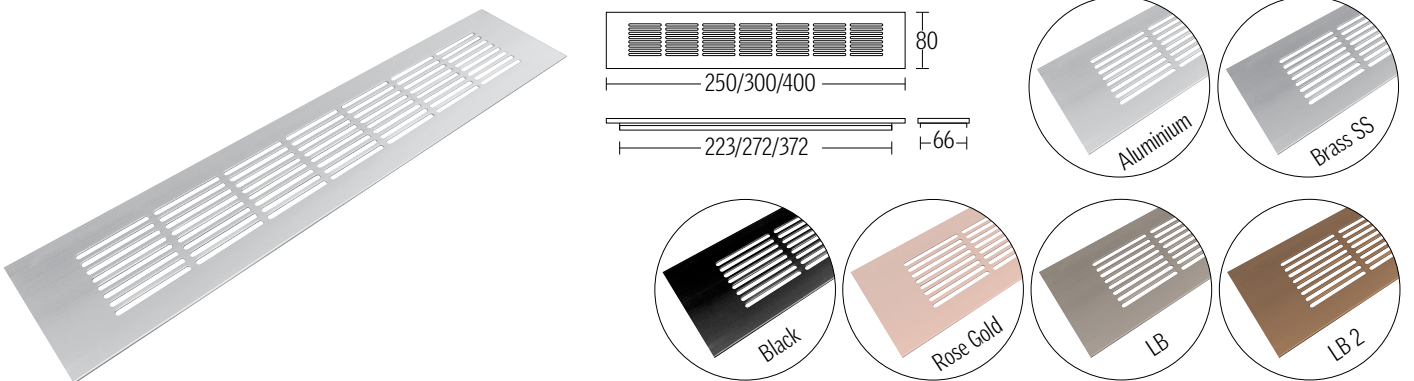
Model	Description	Material	Colour	Dimension (W x D x H)	Unit Price
4043 101 010	452-100mm Skirting Corner 90°	PVC	Silver	35 x 30 x 100	RM 4.00
4043 101 015	452-150mm Skirting Corner 90°			35 x 30 x 150	RM 6.00
492-100	492-100mm Skirting Corner 90°		Black	37 x 25 x 100	RM 4.00
492-150	492-150mm Skirting Corner 90°			37 x 25 x 150	RM 6.00

Cabinet Skirting Connector



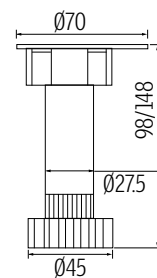
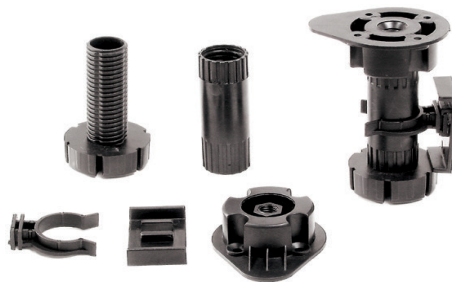
Model	Description	Material	Colour	Dimension (W x D x H)	Unit Price
4043 103 010	453-100mm Skirting Corner Connector	PVC	Silver	21 x 17 x 100	RM 4.00
4043 103 015	453-150mm Skirting Corner Connector			21 x 17 x 150	RM 6.00
493-100	493-100mm Skirting Corner Connector		Black	22 x 16 x 100	RM 4.00
493-150	493-150mm Skirting Corner Connector			22 x 16 x 150	RM 6.00

Ventilator Cover



Description	Material	Dimension (W x H)	Packing	Unit Price
WH250mm Ventilator Cover (Aluminium / Brass SS / Black / Rose Gold / LB / LB2)	Aluminium	250 x 80	100pcs/box	RM 12.00
WH300mm Ventilator Cover (Aluminium / Brass SS / Black / Rose Gold / LB / LB2)	Aluminium	300 x 80	100pcs/box	RM 15.00
WH400mm Ventilator Cover (Aluminium / Brass SS / Black / Rose Gold / LB / LB2)	Aluminium	400 x 80	100pcs/box	RM 20.00

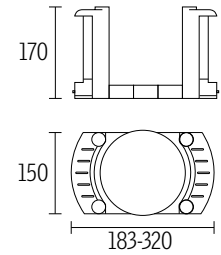
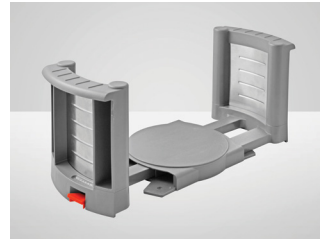
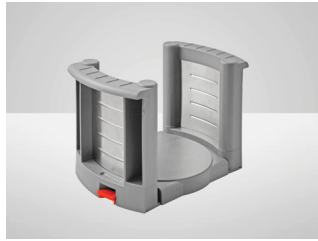
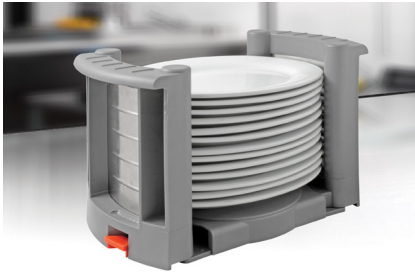
Kitchen Leg



Model	Description	Loading Capacity	Finishing	Dimension (Ø x H)	Unit Price
4043 010 011	Kitchen Leg 4" Black 100mm (4 Legs + 2 Clip)	250kg (4pcs)	Black	Ø 45 x 95	RM 5.00
4043 010 012	Kitchen Leg 6" Black 150mm (4 Legs + 2 Clip)	250kg (4pcs)	Black	Ø 45 x 145	RM 6.00

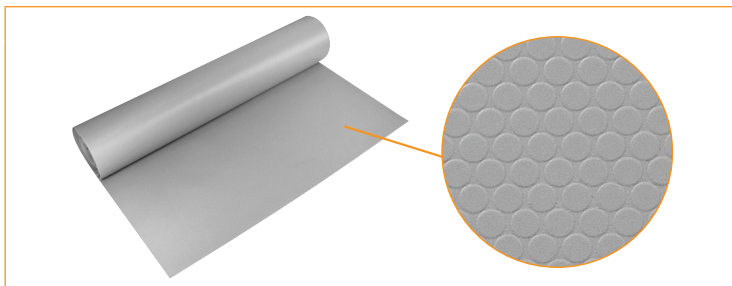
* All the measurement by millimeter (mm)

Plate Holder



Model	Description	Finishing	Material	Adjustment Size (W)	List Price
4043 108 001	PH29888 Plate Holder	Grey	PVC	183 - 320	RM 95.00

Rubber Mat

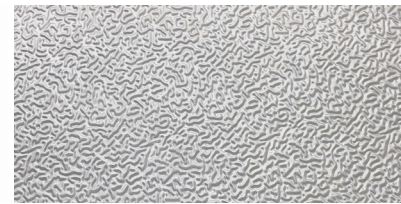


Model	Description	Dimension (T x D x L)	Unit Price
4043 009 000	Rubber Mat	0.50 x 505 x 10m	RM 365.00

Sink Bottom Protect



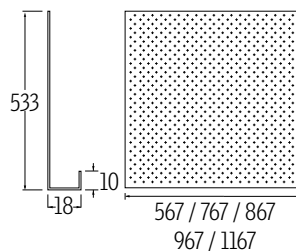
SAP 1220*50m with Sticker



SAP 1250*50/0.2 without Sticker

Model	Description	Material	Dimension (T x H x L)	Unit Price
SSA1220*50m	Sticker Sink Aluminium Bottom Protector 1220*50	Aluminium	0.1 x 1220 x 50m	RM 650.00
SAP1250*50/0.2	Sink Aluminium Bottom Protector	Aluminium	0.2 x 1250 x 50m	RM 2245.00

Sink Aluminium Bottom Protect



Model	Description	Material	Cabinet Width	Dimension (W x D x H)	Unit Price
4043 021 060	SA0567 Oxidized Sink Bottom Protector	Aluminium	600	567 x 533 x 18	RM 97.00
4043 021 080	SA0767 Oxidized Sink Bottom Protector	Aluminium	800	767 x 533 x 18	RM 125.00
4043 021 090	SA0867 Oxidized Sink Bottom Protector	Aluminium	900	867 x 533 x 18	RM 136.00
4043 021 100	SA0967 Oxidized Sink Bottom Protector	Aluminium	1000	967 x 533 x 18	RM 147.00
4043 021 120	SA01167 Oxidized Sink Bottom Protector	Aluminium	1200	1167 x 533 x 18	RM 173.00

Soft Close Hydraulic Hinge 107°



Model	Description	Material	Unit Price
4041001013	HAUSS 107-16-SI Hydraulic Hinge-SC	Steel Chrome	RM 3.60

Soft Close Hydraulic Hinge 3D



Model	Description	Material	Unit Price
4041001015	HAUSS 107-16-3D Hydraulic Hinge-SC	Steel Chrome	RM 6.50

Stainless Steel 304 Hydraulic Hinge 3D



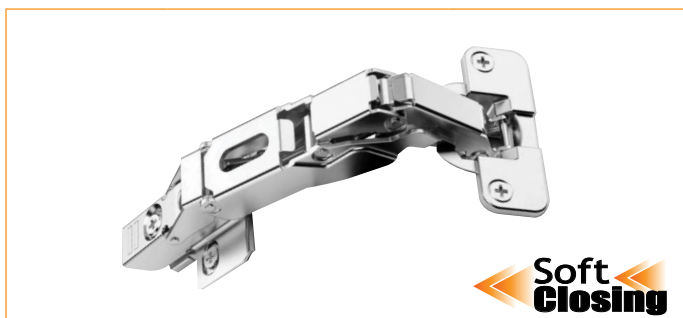
Model	Description	Material	Unit Price
4041001016	HAUSS 107-16-3D Hydraulic Hinge-SS304	Stainless Steel 304	RM 12.50

Stainless Steel 304 Hydraulic Hinge 3D GR



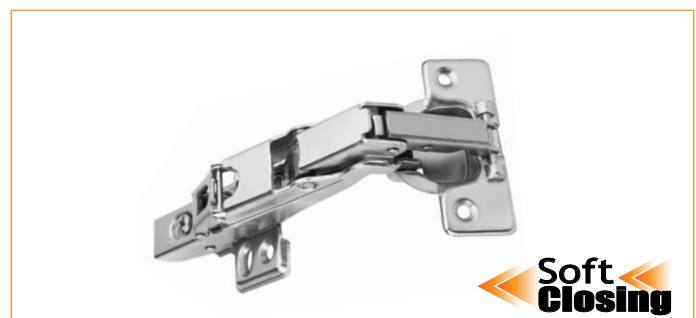
Model	Description	Material	Unit Price
4041001017	HAUSS 107-16-3D GR Hydraulic Hinge-SS304 Grey	Stainless Steel 304	RM 20.00

Soft Close Hydraulic Hinge 155°



Model	Description	Material	Unit Price
4041001007	Hauss Zero Protrusion 155° Soft Close Hinges	Metal	RM 17.00

Soft Close Hydraulic Hinge 165°



Model	Description	Material	Unit Price
H1165	165° Clip On Soft Close Hydraulic Hinge 4 Hole	Metal	RM 15.00

Unspring Hinge



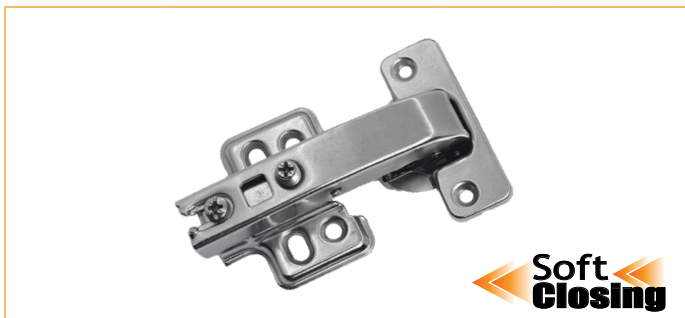
Model	Description	Material	Unit Price
4041 001 012	Hauss 110-16 Unspring Hinge	Metal	RM 2.70

3D Hydraulic Hinge - MG



Model	Description	Material	Unit Price
HI105-16 3D	HAUSS 105-16-3D Hydraulic Hinge-MG	Metal	RM 7.00

Soft Close Corner Hinge

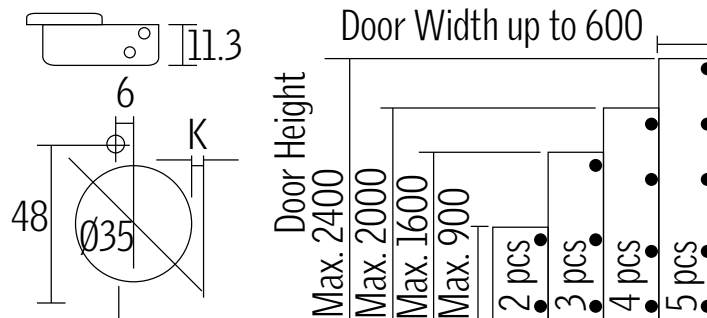


Model	Description	Material	Unit Price
HI90-16-SC	HAUSS 90° Corner Hinge-SC	Metal	RM 6.50

Soft Close Short Arm Hinge

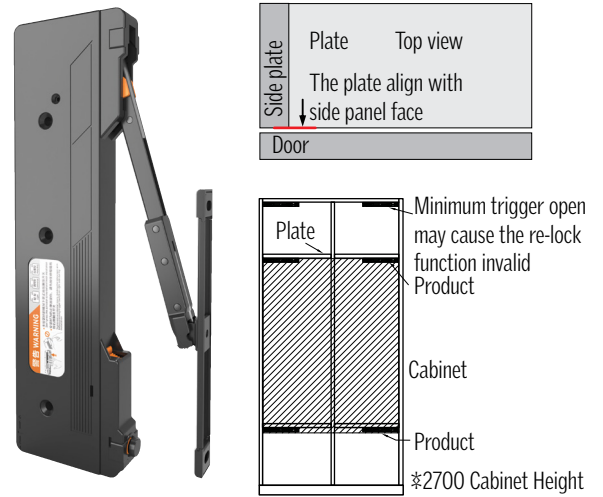


Model	Description	Material	Unit Price
HI105-16-SA-SC	HAUSS Short Arm Hinge-SC	Metal	RM 7.00



40,000
time cycle test

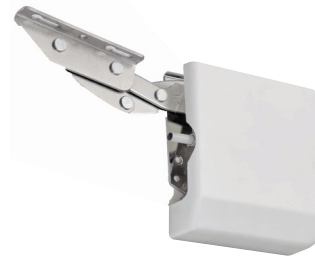
Push Open Soft Close Door Device



- This product must be matched with spring free hinges
- Door opening angle less than 110°
- The number of hinges matched with this product is customized according to the door panel specification

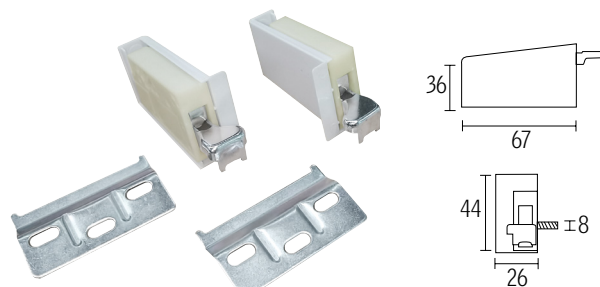
Model	Description	Loading Capacity	Unit Price
POM-075LD	Light Duty (Included 2pcs Unspring Hinge)	7.5kg	RM 130.00
POM-250HD	Heavy Duty (Included 5pcs Unspring Hinge)	Wooden Door	RM 153.00
		Aluminium Frame Door	

Door Hanger



Model	Description	Loading Capacity	Door (H x W)	Unit Price
4045 107 000	LS3107 Door Hanger	7kg	300 x 600-800	RM 100.00

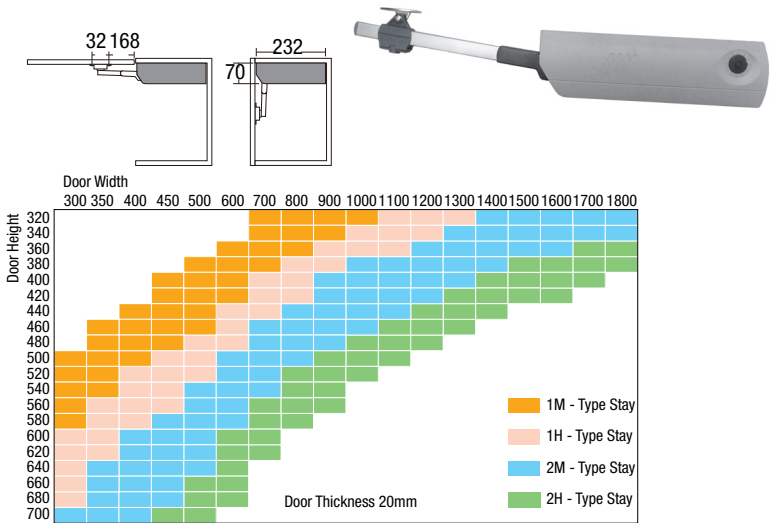
Hanging Holder



Model	Description	Loading Capacity	Material	Dimension (W x D x H)	Unit Price
4043 106 002	Hanging Holder V	80kg (2pcs)	PVC + Metal	26 x 67 x 44	RM 7.50

* All the measurement by millimeter (mm)

Easy Lift Up Stay



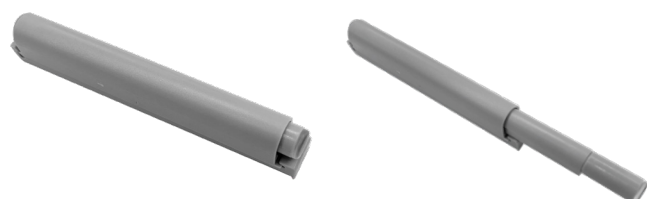
Model	Description	Finishing	Unit Price
4045 017 001	Easy Lift up stay (748280) Left	Grey	RM 85.00
4045 017 002	Easy Lift up stay (748280) Right	Grey	RM 85.00

Gas Spring



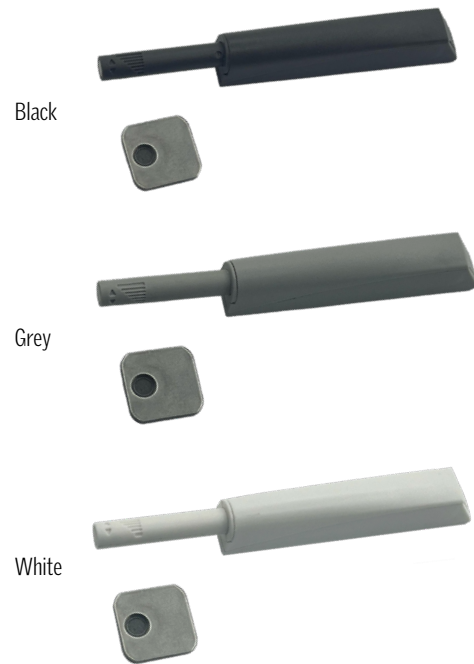
Model	Description	Unit Price
4045 008 008	Gas Spring 100N (10kg)	RM 12.00

Door Touch Open Catch



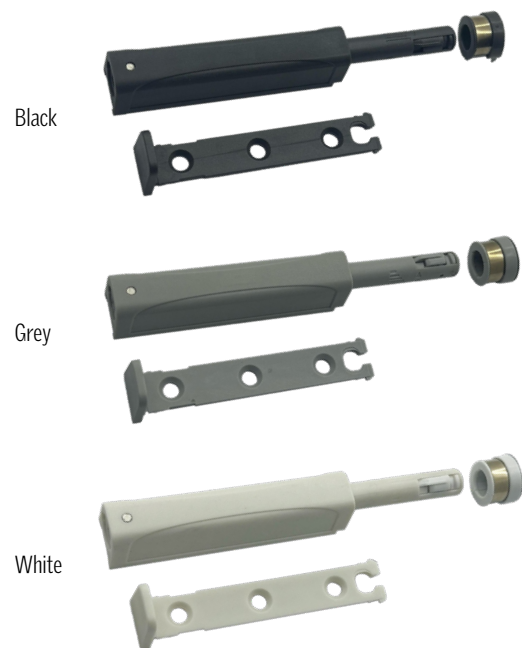
Model	Description	Material	Dimension (L)	Unit Price
4041 002 001	Door Touch Open Catch	PVC	84 - 124	RM 4.80

Door Touch Open Catch with Magnet



Model	Description	Material	Dimension (L)	Unit Price
TMDT 01-BLK	Door Touch Open Catch with Magnet (Black)	Polystyrene	82 - 114	RM 8.00
TMDT 01-GR	Door Touch Open Catch with Magnet (Grey)	Polystyrene	82 - 114	RM 8.00
TMDT 01-SW	Door Touch Open Catch with Magnet (White)	Polystyrene	82 - 114	RM 8.00

Door Touch Open

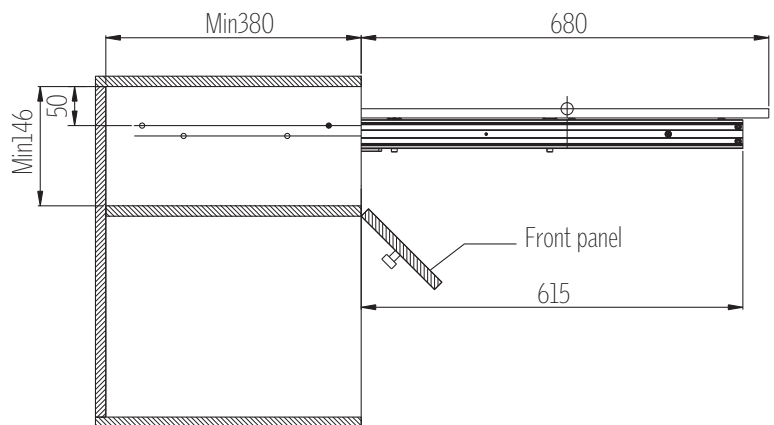
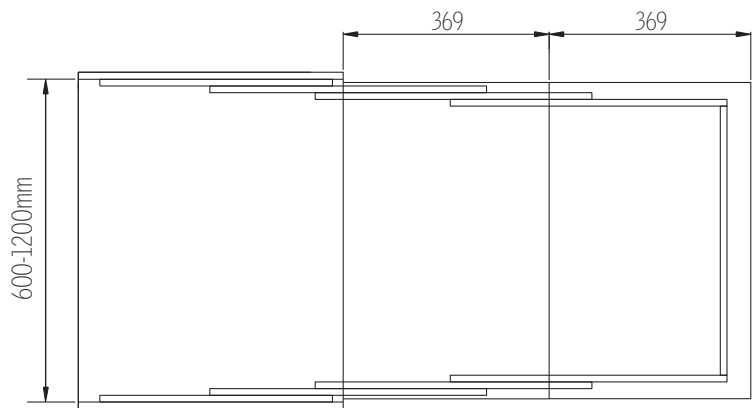
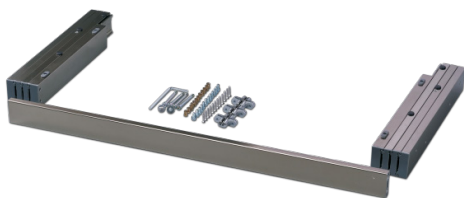


Model	Description	Material	Dimension (L)	Unit Price
TMDT 02-BLK	Door Touch Open (Black)	Polystyrene	84 - 126	RM 9.50
TMDT 02-GR	Door Touch Open (Grey)	Polystyrene	84 - 126	RM 9.50
TMDT 02-SW	Door Touch Open (White)	Polystyrene	84 - 126	RM 9.50

* All the measurement by millimeter (mm)

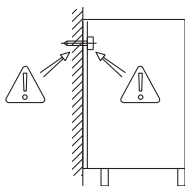


Pull Out Foldable Table



- Inside Cabinet Depth** : Min 390mm
- Inside Cabinet Width** : 600-1200mm
- Height** : Min 146mm
- Extending Length** : 680mm

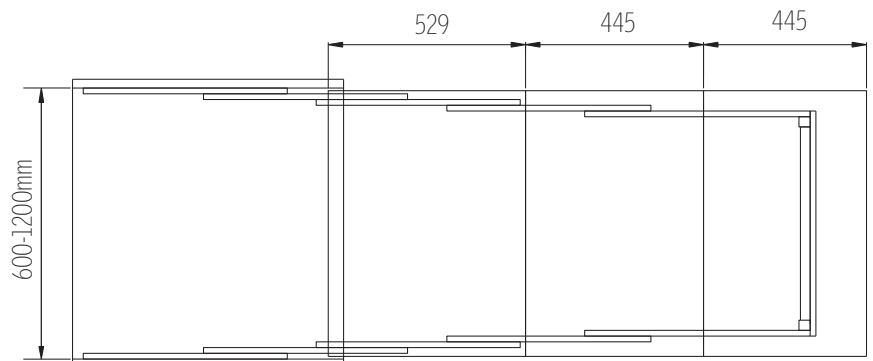
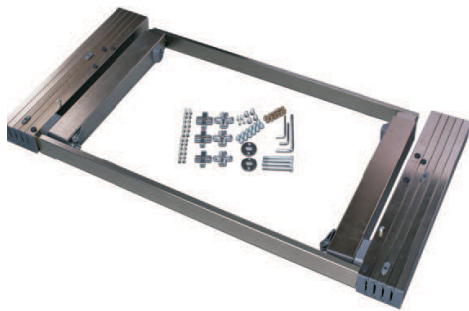
The back of the cabinet must be firmly fixed on the wall to avoid the tilting of the cabinet when it is pulled out.



* All the measurement by millimeter (mm)

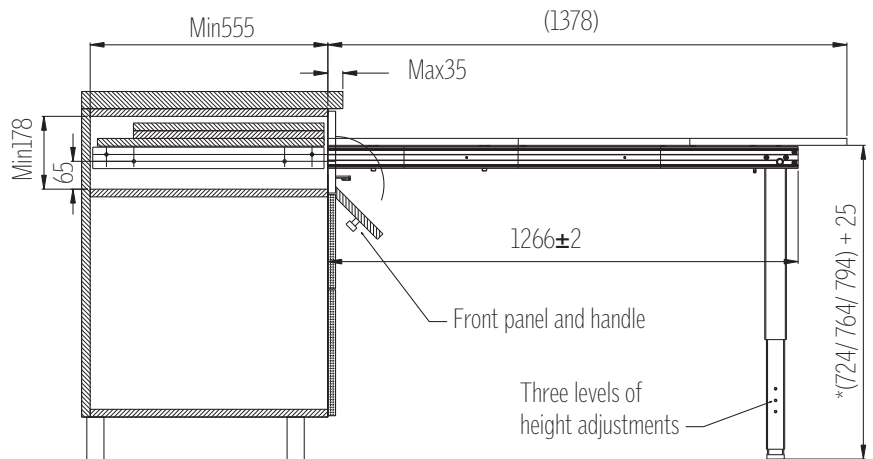
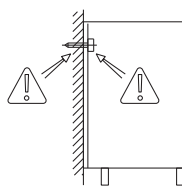
Model	Description	Material	Load Capacity	Colour	Table Length	Unit Price
TM PT390	Pull Out Foldable Table	Aluminium Alloy	30 kg	Champagne Gold	678	RM 690.00

Twin Leg Pull Out Table



- Inside Cabinet Depth** : Min 555mm
- Inside Cabinet Width** : 600-1200mm
- Height** : Min 178mm
- Extending Length** : 1378mm

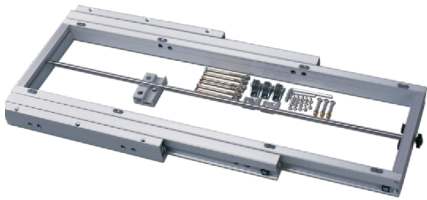
The back of the cabinet must be firmly fixed on the wall to avoid the tilting of the cabinet when it is pulled out.



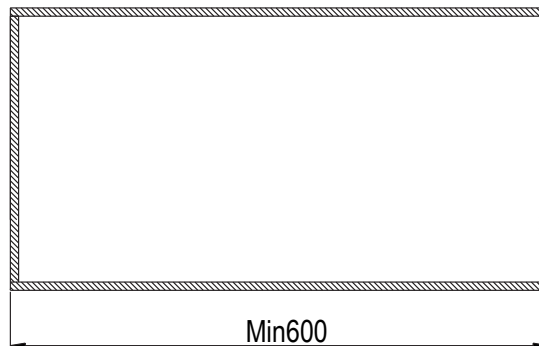
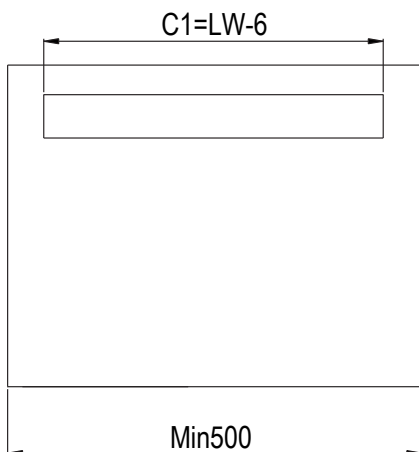
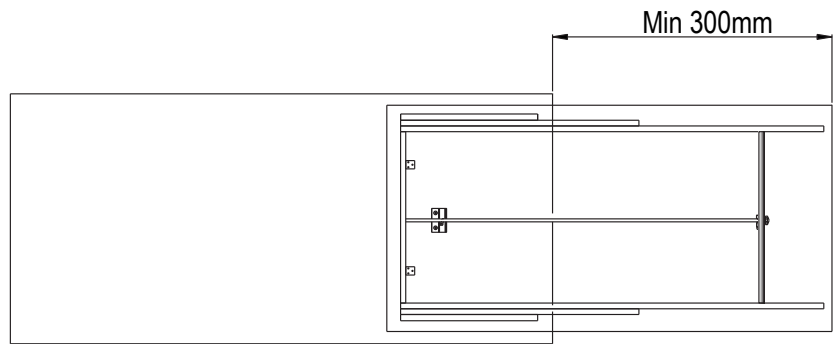
Model	Description	Material	Load Capacity	Colour	Table Top Length	Table Height	Unit Price
TM PT540-A1	Twin Leg Pull Out Table	Aluminium Alloy	70 kg	Champagne Gold	1100	(724/ 764/ 794) +25	RM 1950.00

* All the measurement by millimeter (mm)

Island Side Expandable Table



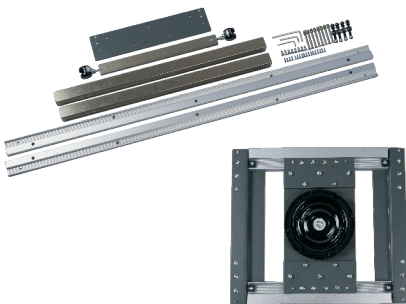
Inside Cabinet Depth : Min 600mm
Inside Cabinet Width : 500-1500mm
Extending Length : Min 300mm



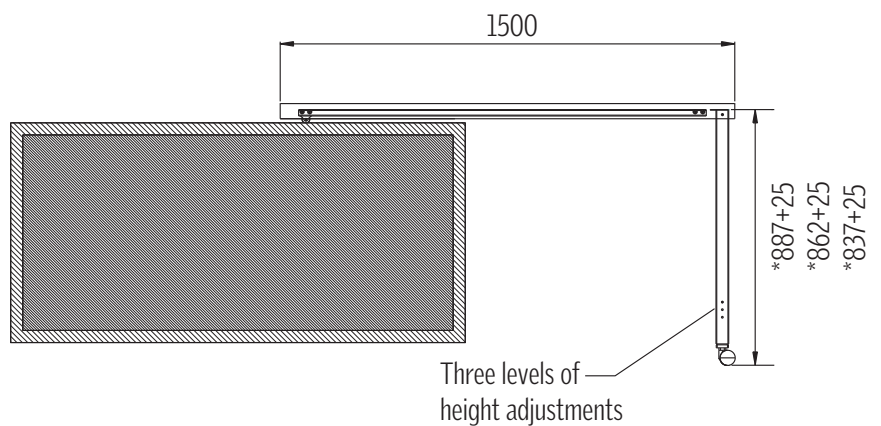
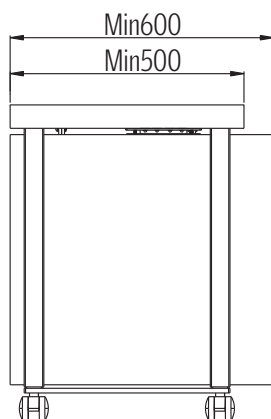
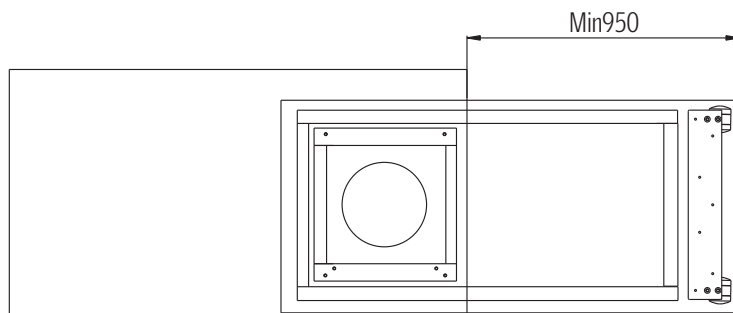
* All the measurement by millimeter (mm)

Model	Description	Material	Load Capacity	Colour	Table Length	Table Width	Unit Price
TM PT13	Island Side Expandable Table	Aluminium Alloy	80 kg	Champagne Gold	1100	700	RM 2065.00

Twin Leg Rotable Bar Table



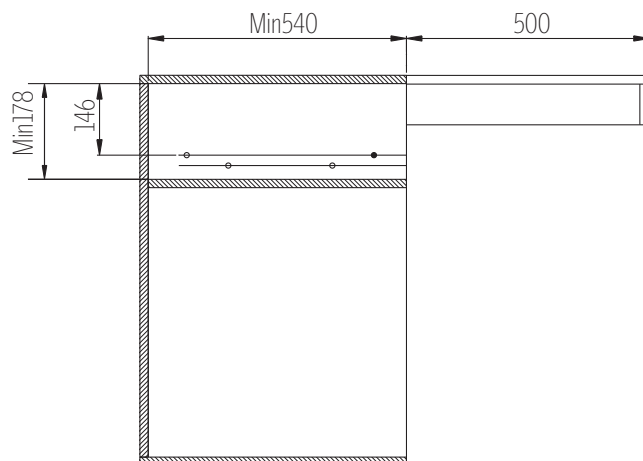
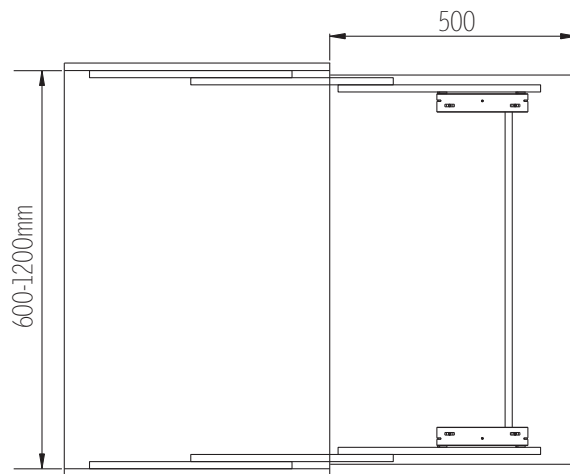
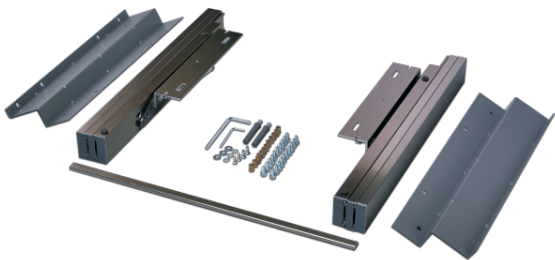
Inside Cabinet Depth : Min 500mm
Inside Cabinet Width : 1500mm
Extending Length : 950mm



Model	Description	Material	Load Capacity	Colour	Table Length	Table Width	Unit Price
TM PT15	Twin Leg Rotable Bar Table	Aluminium Alloy	80 kg	Champagne Gold	1000-1800	900	RM 2750.00

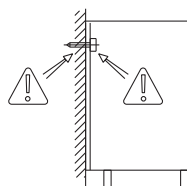
* All the measurement by millimeter (mm)

Pull Out (UP) Work Table With Bracket



- Inside Cabinet Depth** : Min 540mm
- Inside Cabinet Width** : 600-1200mm
- Height** : Min 178mm
- Extending Length** : 500mm

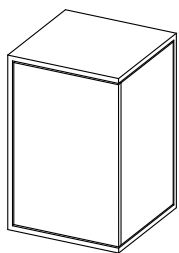
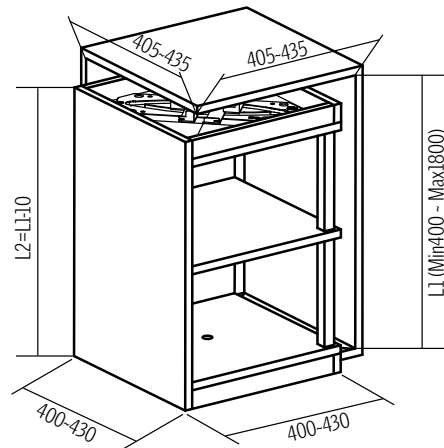
The back of the cabinet must be firmly fixed on the wall to avoid the tilting of the cabinet when it is pulled out.



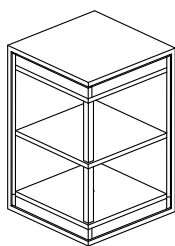
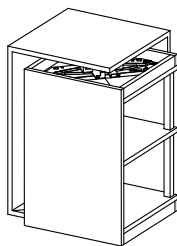
* All the measurement by millimeter (mm)

Model	Description	Material	Load Capacity	Colour	Table Top Length	Unit Price
TM PT540-A2	Pull Out (UP) Work Table With Bracket	Aluminium Alloy	40 kg	Champagne Gold	500	RM 780.00

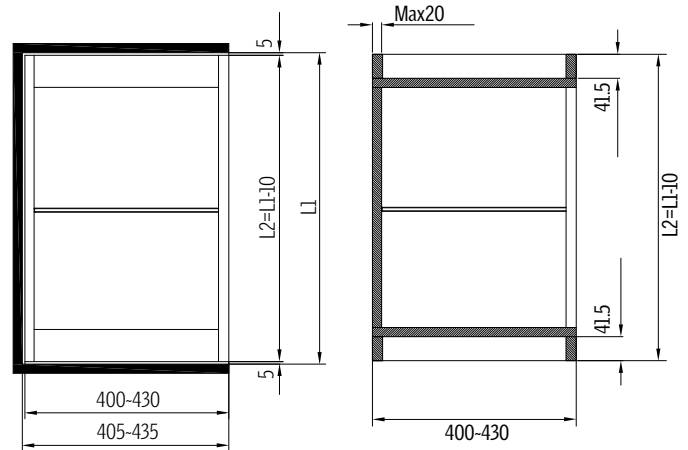
Rotating Guide Rail



Close



Open



Model	Description	Material	Load Capacity	Table Length	Table Width	Unit Price
TMT RG-400	Rotating Guide Rail	Steel and plastic	80 kg	400 / 430	400 / 430	RM 1100.00

* All the measurement by millimeter (mm)

HD138 C Handle

	Model	Description	Finishing	Material	Unit Price
	HD138C*4	138 x 4.05m C Handle	N.A.	Aluminium	RM 150.00
	HD138*4-TBL	138 x 4.05m C Handle - TEX Black	Powder Coat Black	Aluminium	RM 180.00

HD139 L Handle

	Model	Description	Finishing	Material	Unit Price
	HD139L*4	139 x 4.05m L Handle	N.A.	Aluminium	RM 120.00
	HD139L*4-TBL	139 x 4.05m L Handle - TEX Black	Powder Coat Black	Aluminium	RM 148.00

HD118 C Handle

	Model	Description	Finishing	Material	Unit Price
	HD118-35375*4	118 x 4.05m C Handle	N.A.	Aluminium	RM 105.00
	HD118C*4-TBL	118 x 4.05m C Handle - TEX Black	Powder Coat Black	Aluminium	RM 135.00
	HD118C*4-WH	118 x 4.05m C Handle - White	Powder Coat White	Aluminium	RM 135.00

HD119 L Handle

	Model	Description	Finishing	Material	Unit Price
	HD119-35376*4	119 x 4.05m L Handle	N.A.	Aluminium	RM 80.00
	HD119L*4-TBL	119 x 4.05m L Handle - TEX Black	Powder Coat Black	Aluminium	RM 110.00
	HD119L*4-WH	119 x 4.05m L Handle - White	Powder Coat White	Aluminium	RM 110.00

L Bracket

	Model	Description	Material	Unit Price
	HDB-N	Bracket Metal for handle C/L Channel	Metal	RM 1.50

HD0234 Handle

	Model	Description	Material	Unit Price
	HD0234224AL	0234-224 Handle	Aluminium	RM 21.00
	HD0234224SN	0234-224 Handle	Satin Nickel	RM 22.00

HD0288 Handle

	Model	Description	Material	Unit Price
	HD0288192	0288-192mm Handle	Satin Nickel	RM 24.00

HD0290 Handle

	Model	Description	Material	Unit Price
	HD0290192	0290-192mm Handle	Satin Nickel	RM 25.00

HD301 Handle

	Model	Description	Material	Unit Price
	HD0301320	A301-320mm Handle	Aluminium	RM 17.00

HD471 Handle

	Model	Description	Material	Unit Price
	HD471256SS	471-256mm Handle	BSS	RM 35.00

HD478 Handle

	Model	Description	Material	Unit Price
	HD478256SS	478-256mm Handle	BSS	RM 31.00

HD6228 Handle

	Model	Description	Material	Unit Price
	HD6228192BSSNM	6228-192mm Matt Handle	BSS	RM 25.00
	HD6228256BSSNM	6228-256mm Matt Handle	BSS	RM 30.00

HD6229 Handle

	Model	Description	Material	Unit Price
	HD6229192BSSNM	6229-192mm Matt Handle	BSS	RM 26.00

HD6253 Handle

	Model	Description	Material	Unit Price
	HD6253192BSSNM	6253-192mm Matt Handle	BSS	RM 26.00

HD6254 Handle

	Model	Description	Material	Unit Price
	HD6254256BSSNM	6254-256mm Matt Handle	BSS	RM 28.00

HD2231 Handle

	Model	Description	Material	Unit Price
	HD2231192AL	2231-192mm Handle	OS	RM 29.00
	HD2231320AL	2231-320mm Handle	OS	RM 43.00
	HD2231480AL	2231-480mm Handle	OS	RM 64.00
	HD2231736AL	2231-736mm Handle	OS	RM 95.00
	HD2231192BSS	2231-192mm Handle	BSS	RM 40.00
	HD2231320BSS	2231-320mm Handle	BSS	RM 64.00
	HD2231480BSS	2231-480mm Handle	BSS	RM 91.00
HD2231736BSS	2231-736mm Handle	BSS	RM 142.00	

HD751 Handle

	Model	Description	Material	Unit Price
	HD751160AL	751A-160mm Handle	Aluminium	RM 18.00
	HD751288AL	751A-288mm Handle	Aluminium	RM 32.00
	HD751448AL	751A-448mm Handle	Aluminium	RM 42.00
	HD751736AL	751A-736mm Handle	Aluminium	RM 68.00

HD738 Handle

	Model	Description	Material	Unit Price
	HD738320AL	738-320mm Handle	Aluminium	RM 26.00
	HD738480AL	738-480mm Handle	Aluminium	RM 42.50
	HD738768AL	738-768mm Handle	Aluminium	RM 68.00

HD745 Handle

	Model	Description	Material	Unit Price
	HD745224AL	745A-224mm Handle	Aluminium	RM 24.00
	HD745320AL	745A-320mm Handle	Aluminium	RM 33.00
	HD745224SN	745A-224mm Handle	Satin Nickel	RM 37.00
	HD745320SN	745A-320mm Handle	Satin Nickel	RM 42.00

HD2311 Handle

	Model	Description	Material	Unit Price
	HD2311192AL	2311-192mm Handle	OS	RM 22.00
	HD2311320AL	2311-320mm Handle	OS	RM 33.00
	HD231119SN	2311-192mm Handle	Satin Nickel	RM 30.00
	HD2311320SN	2311-320mm Handle	Satin Nickel	RM 45.00

HD6805 Handle

	Model	Description	Material	Unit Price
	HD6805320B0	6805E-320 Handle	Brushed Oxidized	RM 40.00

HD722 Handle

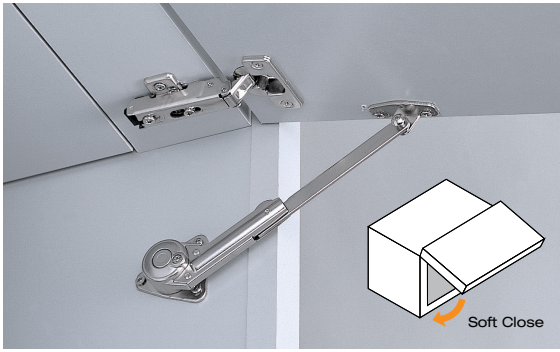
	Model	Description	Material	Unit Price
	HD72232SN	722-32mm Handle	SN	RM 16.50

LAMP®



OPEN DOOR
SYSTEM

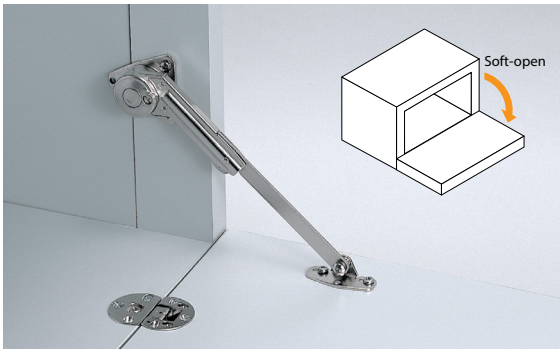
Soft-Down Stay



- For **upward-opening** flap door with piano, butt or concealed hinges.
- Opening angle 80°, 90° or 100°.
- NSDX-35 is designed to hold door in fully opened position.
- Speed adjustment screw located on front for easy adjustment.
- Mounting plate ordered separately.
- Two stop version (hold door at 65° and 90°) is also available.
- Torque calculation: Torque = Door Height x 1/2 x Door Weight
- NSDX-35 (1 stop) = Per Piece: 20-70 kg.cm (19-60 lbs.inch)
- NSDX-35 (1 stop) = Per Pair: 40-140 kg.cm (38-120 lbs.inch)
- NSDX-35-25 (2 stops) = Per Piece: 20-50 kg.cm (19-43 lbs.inch)
- NSDX-35-25 (2 stops) = Per Pair: 40-100 kg.cm (38-86 lbs.inch)

Model	Description	Unit Price
7073 001 001	NSDX-35L Lamp Soft Down Stay (Left) c/w Wood Bracket	RM 165.00
7073 001 002	NSDX-35R Lamp Soft Down Stay (Right) c/w Wood Bracket	RM 165.00

Soft-Downward Stay



- For **downward-opening** flap door with piano, butt or drop hinges.
- NSDX-10 is designed to hold door in closed position.
- Speed adjustment screw located on front for easy adjustment.
- Mounting plate ordered separately.
- Torque calculation:
Torque = Door Height x 1/2 x Door Weight
Per Piece: 20-70 kg.cm (19-60 lbs.inch)
Per Pair: 40-140 kg.cm (38-120 lbs.inch)

Model	Description	Unit Price
7073 001 010	NSDX-10 Downward Stay (Left) c/w Wood Bracket	RM 165.00
7073 001 011	NSDX-10 Downward Stay (Right) c/w Wood Bracket	RM 165.00

Soft-Down Lid Stay



- For **downward-opening** flap door with piano, butt or drop hinges.
- Hds-10 is designed to hold door in closed and opened position.
- Used in pairs.
- Torque calculation:
- (Medium duty):
140-200 kg.cm (121-173 lbs.inch)/pair m-type
- (Heavy duty):
200-250 kg.cm (173-216 lbs.inch)/pair h-type
250-300 kg.cm (216-260 lbs.inch)/pair.

Model	Description	Colour	Unit Price
7073 031 001	HDS-10S-HL Heavy Duty Soft Down Lid Stay 'L'	Black	RM265
7073 031 002	HDS-10S-HR Heavy Duty Soft Down Lid Stay 'R'	Black	RM265
7073 031 003	HDS-10S-ML Medium Duty Soft Down Lid Stay 'L'	Black	RM265
7073 031 004	HDS-10S-MR Medium Duty Soft Down Lid Stay 'R'	Black	RM265
7073 031 005	HDS-10S-KL Light Duty Soft Down Lid Stay 'L'	Black	RM265
7073 031 006	HDS-10S-KL Light Duty Soft Down Lid Stay 'R'	Black	RM265

SLS-ELAN Lift Assist Stay



- For upward-opening flap doors
- Lift-assist function for easy and smooth opening
- Soft closing function for silent and safe closing
- Simple installation by aligning body to edge of cabinet
- Single or pair use allows wide range of door size / weight
- Quality certified by LGA
- Optional bracket for thin aluminium frame door available

*SLS-ELAN STANDARD TYPE	
SLS-ELAN-M	55 - 75kgf · cm
SLS-ELAN-H	75 - 100kgf · cm

Model	Description	Finishing	Unit Price
7073 002 001	Lift Assist Stay ELAN-H/Duty (Left) c/w Wood Bracket	White	RM552
7073 002 002	Lift Assist Stay ELAN-H/Duty (Right) c/w Wood Bracket	White	RM552
7073 003 001	Lift Assist Stay ELAN-Medium (Left) c/w Wood Bracket	White	RM552
7073 003 002	Lift Assist Stay ELAN-Medium (Right) c/w Wood Bracket	White	RM552

SLU-ELAN Swing Lift Up Stay



- Unique swing mechanism
- Lift-assist function for easy and smooth opening.
- Soft-closing function for silent and safe closing.
- Sleek and compact design
- Width: Max 1200mm
- Height: 390-500 / Door

Model	Door Weight / Door
SLU-ELAN S4	5.0 - 6.5kg
SLU-ELAN L4	6.5 - 8.0kg
SLU-ELAN M4	8.0 - 9.5kg
SLU-ELAN H4	9.5 - 11.0kg

Model	Description	Finishing	Unit Price
7073 027 000	SLU-ELAN Swing Lift-Up Stay S4 Light Duty c/w Wood Bracket (5.0 - 6.5kg)	White	RM2328
7073 028 000	SLU-ELAN Swing Lift-Up Stay L4 Light Duty c/w Wood Bracket (6.5 - 8.0kg)	White	RM2328
7073 026 000	SLU-ELAN Swing Lift-Up Stay Medium c/w Wood Bracket (8.0 - 9.5kg)	White	RM2328
7073 025 000	SLU-ELAN Swing Lift-Up Stay H/Duty c/w Wood Bracket (9.5 - 11kg)	White	RM2328

EZS-ELAN Swing Lift Up Stay

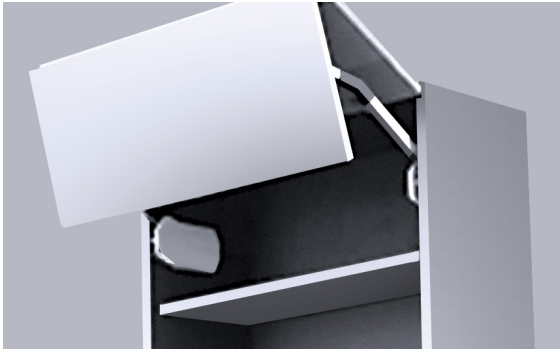


- Lift-assist function for easy and smooth opening.
- Soft-closing function for silent and safe closing.
- Free stop function from 30° - 70°
- Simple installation by aligning body to edge of cabinet
- No hinge, no guide bar required.
- Clip-on mounting plate for speedy door installation
- 3 powers available (M,H)
- Lifting Power: Door Height (mm) x Door Weight (mm)

Door Weight	5-12.5kg
Door Height	500-750mm
Door Width	Max. 1,200mm

Model	Description	Finishing	Unit Price
7073 017 000	EZS-ELAN Medium c/w Wood Bracket	White	RM1616
7073 018 000	EZS-ELAN Heavy Duty c/w Wood Bracket	White	RM1616
7073 018 100	EZS-ELAN Light Duty c/w Wood Bracket	White	RM1616

BI-FOLD Lift Assist Stay



- Bi-fold door mechanism will assist in opening and closing door in a smooth motion.
- Easy installation using a paper template and multiple adjustments.
- Recommended door size and weight

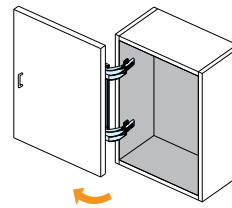
Model	Door Weight / Door
HBF-ELAN LL	2.5 - 3.3kg
HBF-ELAN MM	4.1 - 4.9kg
HBF-ELAN HH	5.7 - 6.5kg

Model	Description	Finishing	Unit Price
7073 022 000	HBF-ELAN Bi-Fold Lift Assist Stay Light Duty c/w Wood Bracket	White	RM2107
7073 024 000	HBF-ELAN Bi-Fold Lift Assist Stay Medium c/w Wood Bracket	White	RM2107
7073 023 000	HBF-ELAN Bi-Fold Lift Assist Stay H/Duty c/w Wood Bracket	White	RM2107

Mono Flat Lin-X Hinge



Door Weight	Max 17kg
Door Height	600-2400mm
Door Width	400-500mm
Door Thickness	14-24mm

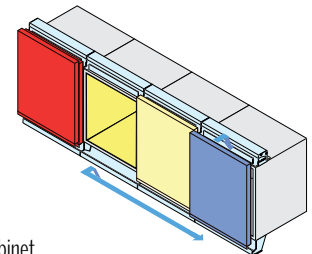


Model	Description	Finishing	Unit Price
7073 007 045	LIN-X450 Hinge System LAMP	-	RM1672
7073 007 060	LIN-X600 Hinge System LAMP	-	RM2006

Multi Motion Door System



Door Weight	Max 17kg
Door Height	600-2400mm
Door Width	400-500mm
Door Thickness	14-24mm

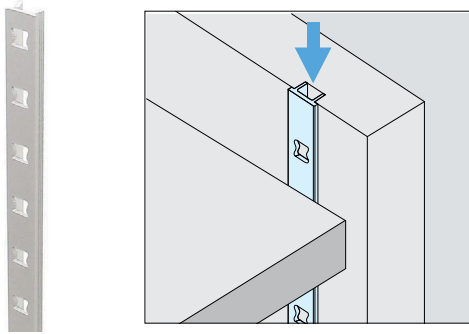


MFS-W Series

MultiMo Flat: Multiple Motion Door System (for Wood Panels)
 Innovative, modular cabinet system with flush sliding doors,
 Doors open outwards and can slide in front of other doors in the cabinet
 Door position is interchangeable when 3 or more sets are used in one cabinet
 MFS-G also available for use with mirror or glass panel cabinets
 (glass and wood systems cannot be used together).

Model	Description	List Price
7073 020 030	Multi Motion Door System 300mm 'LAMP'	RM432
7073 020 045	Multi Motion Door System 450mm 'LAMP'	RM450
7073 020 060	Multi Motion Door System 600mm 'LAMP'	RM498
7073 020 090	Multi Motion Door System 900mm 'LAMP'	RM588
7073 021 501	End Cap Set Multi Motion Door System 'LAMP'	RM48

Shelf Accessories



Mortise Mount

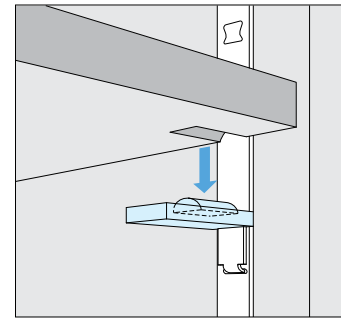


Shelf Support Cap



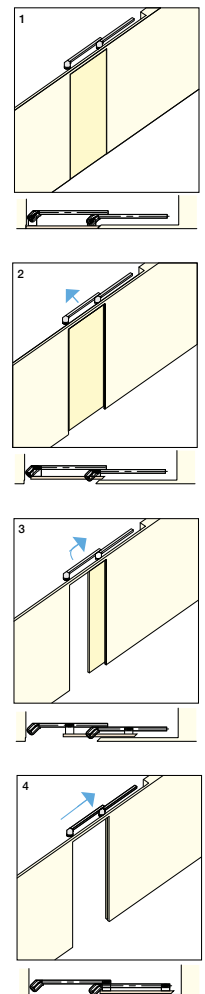
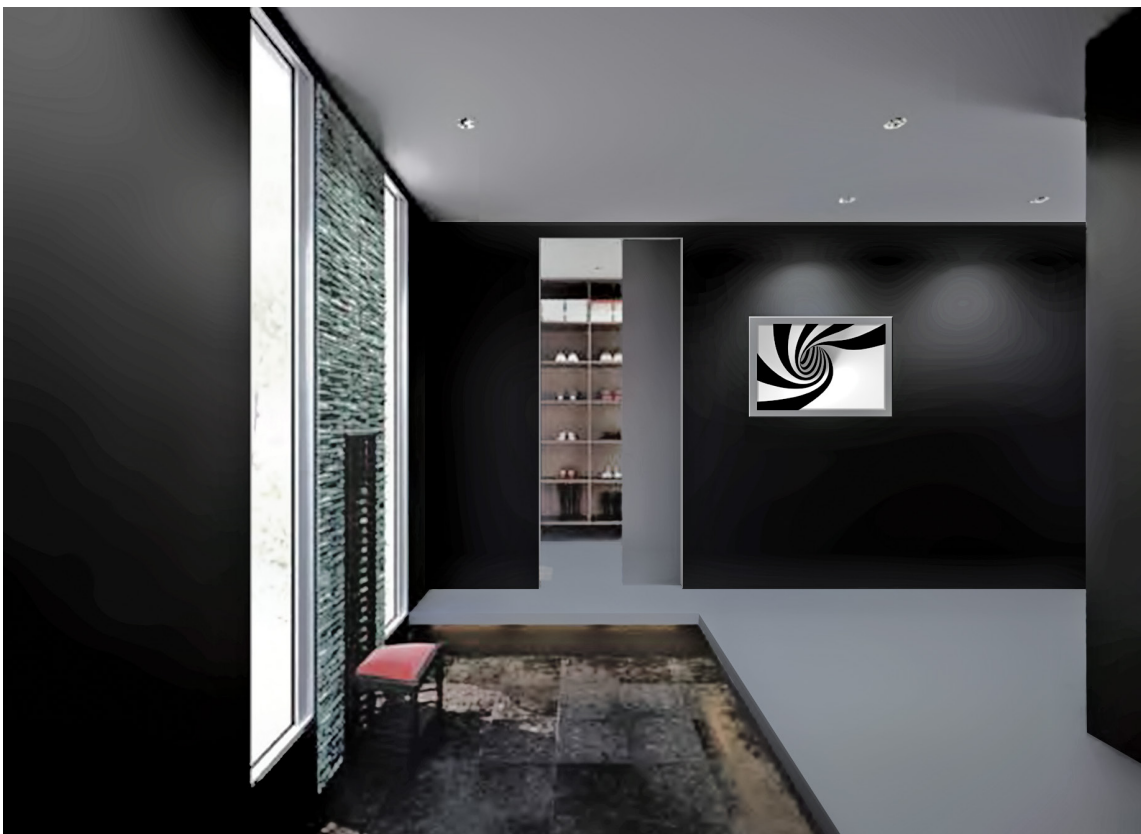
Shelf Support

1820mm Shelf Standard



Model	Description	Unit Price
7073 030 001	1820 LAMP Alum Shelf Standard	RM85
7073 030 002	1820 LAMP Alum Shelf Support Cap	RM3.20
7073 030 003	1820 LAMP Alum Shelf Support	RM4.20

MFU-1200 Flat Door System



- Flush Surface - Designed to close flush against surrounding walls, providing clean appearance.
- Unique Movement. - Door moves in first, and then slides sideways.
- Clean Appearance - No bottom rails on floor required.

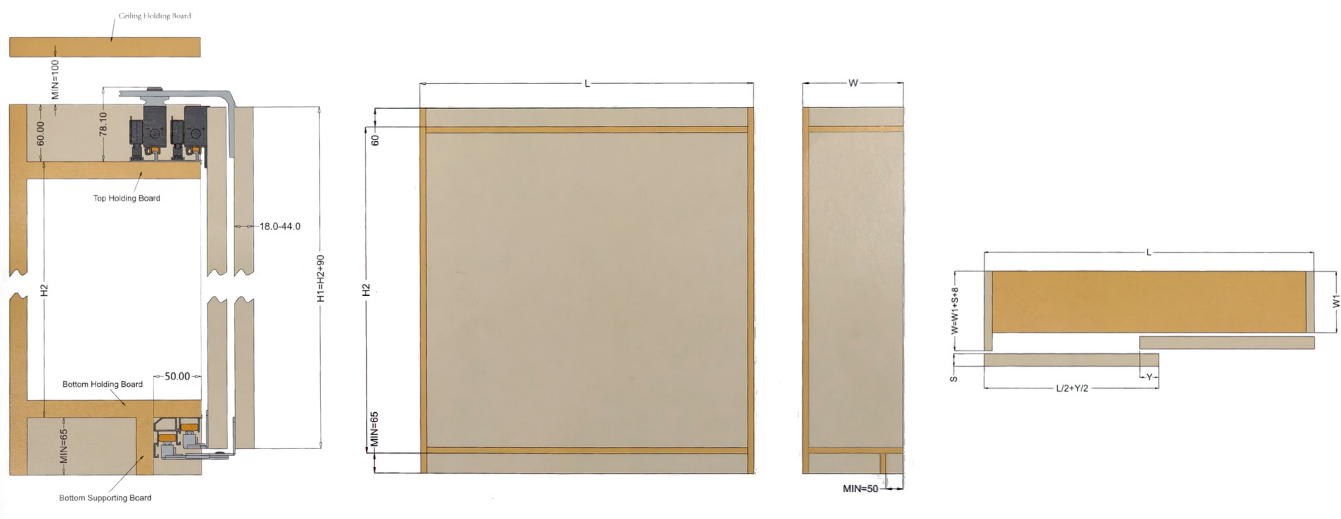
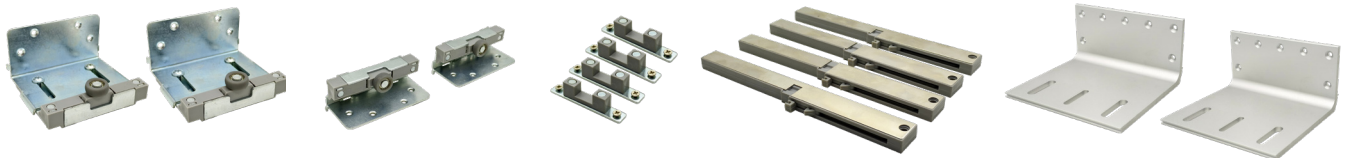
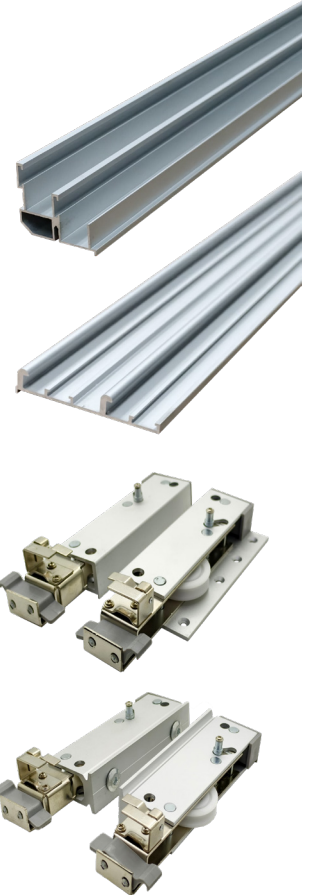
- Smooth Movement - Bearing roller provides smooth movement. Also door catch will pull the door to closed position.
- Various applications - Ideal for walk-in closets, stock room, hidden room applications etc.
*For single door application.

Model	Description	Unit Price
7073 012 102	MFU-1200-40-R/L Flat Door System 'LAMP'	RM11255
7073 012 103	MFU-1200-70-R/L Flat Door System 'LAMP'	RM11780

If you have any question for the door measurement , pls contact our sale person.

* All the measurement by millimeter (mm)

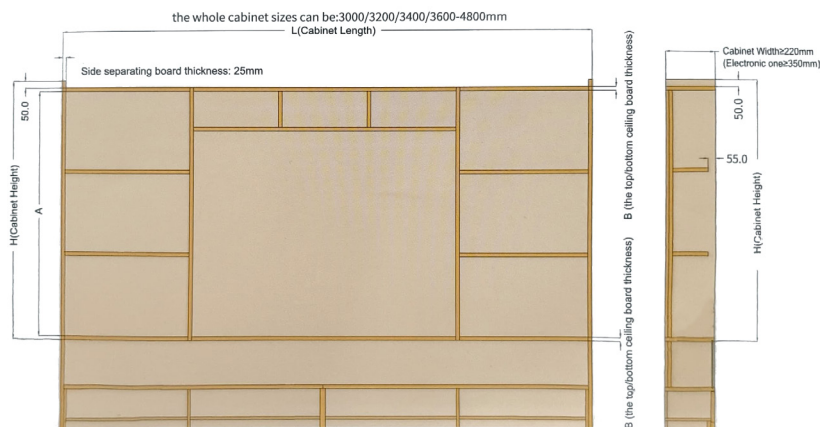
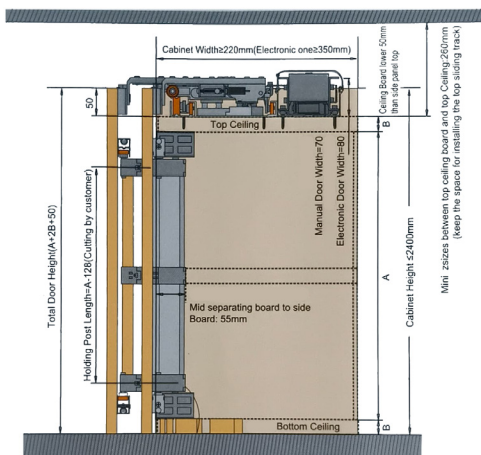
Hanging Sliding Door



* All the measurement by millimeter (mm)

Model	Description	Loading Capacity	Unit Price
3031 401 001	50300-2 Hanging Sliding 2 Door Fitting	80kg / Door	RM 745.00
3031 401 002	50300-3 Hanging Sliding 3 Door Fitting	80kg / Door	RM 890.00
3031 401 011	50300-2 meter Top & Bottom Track for Hanging Sliding Door	-	RM 235.00
3031 401 012	50300-3 meter Top & Bottom Track for Hanging Sliding Door	-	RM 345.00

Flat Door Sliding System

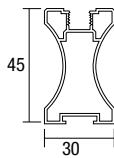
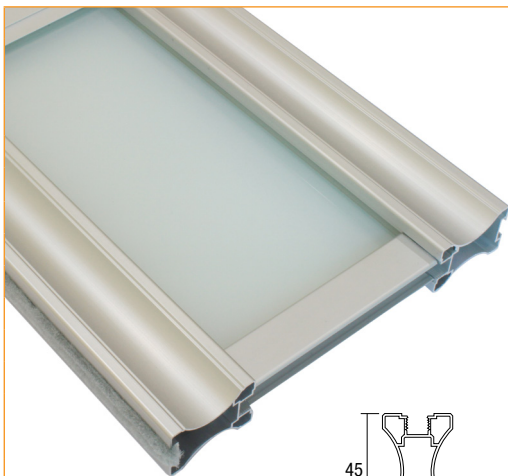


Model	Description	Loading Capacity	Packing	Unit Price
3031 402 018	50304 - 1.8 meter Flat Sliding Door System	80kg / Door	1 pc/ctn	RM 7100.00
3031 402 024	50304 - 2.4 meter Flat Sliding Door System	80kg / Door	1 pc/ctn	RM 7750.00

* All the measurement by millimeter (mm)



AJG3 Aluminium Sliding Door



(MOQ Order 15 Sqft / Door)

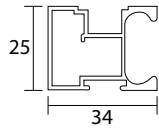
No	Material	U/Sqft
1	Normal Sand Sticker 215, 216, 217, 218, 219, 220 & White	RM 16.80
2	Special Sticker 231, 601, 660, 670, 892, 323, 324 & 326	+RM 3.00
3	Clear Mirror	+RM 4.00
4	Black Tinted, Brown Tinted & Euro Grey Tinted	+RM 5.00
5	Bronze Mirror, Grey Mirror & Black Mirror	+RM 7.00
6	Bronze Reflective	+RM 20.00
7	Spray Paint Normal Glass Solid Colour	+RM 5.00
8	Spray Paint Normal Glass Metallic Colour	+RM 6.00
9	Extra Clear Glass Normal Sticker	+RM 8.00
10	Extra Clear Glass Special Sticker	+RM 9.00
11	Extra Clear Glass Spray Solid Colour + Sticker	+RM 13.00
12	Extra Clear Glass Spray Metallic Colour + Sticker	+RM 14.00
13	Perforated Panel	+RM 10.00
14	Acrylic Clear Normal Sticker	+RM 9.00
15	Acrylic Clear Special Sticker	+RM 10.00
16	Acrylic Solid White & Black	+RM 11.00
17	Acrylic Clear Spray Solid Colour	+RM 14.00
18	Acrylic Clear Spray Metallic Colour	+RM 15.00
19	Powder Coating	+RM 3.00
20	Reeded Glass	+RM 20.00

Additional Charge

- A) Model: G3, D1, C1, AJP1 = M.O.Q 15 sqft/door
- B) Model: SG19 = M.O.Q 18 sqft/door
- C) < i > Top Track - Double + **RM28.00** nett/meter, < ii > Bottom Track - Double + **RM13.00** nett/meter
- D) < i > Top Track - Single + **RM22.00** nett/meter, < ii > Bottom Track - Single + **RM12.00** nett/meter
- *E) Soft close mechanism + **RM120.00** nett/set
- *F) Heavy duty soft close mechanism **RM160.00** nett/set
- *G) Transport charges to site **RM150**/trip
- *H) Clear Glass Tempered / TG4 Tempered + **RM8.00** nett
- *I) Black, Euro Grey, Brown Tinted Tempered + **RM12.00** nett
- *J) Powder Coat + **RM20.00** nett/meter

* All the measurement by millimeter (mm)

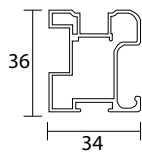
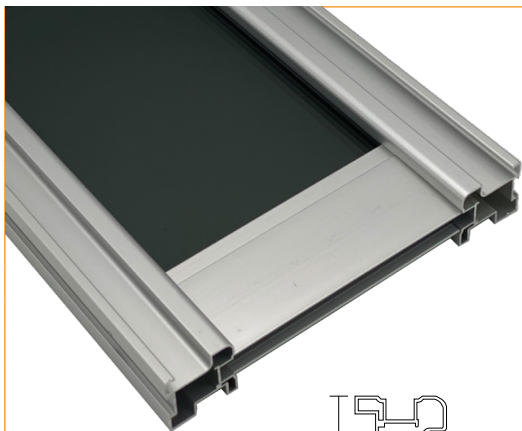
AJCI Aluminium Sliding Door



(MOQ Order 15 Sqft / Door)

No	Material	U/Sqft
1	Normal Sand Sticker 215, 216, 217, 218, 219, 220 & White	RM 16.80
2	Special Sticker 231, 601, 660, 670, 892, 323, 324 & 326	+RM 3.00
3	Clear Mirror	+RM 4.00
4	Black Tinted, Brown Tinted & Euro Grey Tinted	+RM 5.00
5	Bronze Mirror, Grey Mirror & Black Mirror	+RM 7.00
6	Bronze Reflective	+RM 20.00
7	Spray Paint Normal Glass Solid Colour	+RM 5.00
8	Spray Paint Normal Glass Metallic Colour	+RM 6.00
9	Extra Clear Glass Normal Sticker	+RM 8.00
10	Extra Clear Glass Special Sticker	+RM 9.00
11	Extra Clear Glass Spray Solid Colour + Sticker	+RM 13.00
12	Extra Clear Glass Spray Metallic Colour + Sticker	+RM 14.00
13	Perforated Panel	+RM 10.00
14	Acrylic Clear Normal Sticker	+RM 9.00
15	Acrylic Clear Special Sticker	+RM 10.00
16	Acrylic Solid White & Black	+RM 11.00
17	Acrylic Clear Spray Solid Colour	+RM 14.00
18	Acrylic Clear Spray Metallic Colour	+RM 15.00
19	Powder Coating	+RM 3.00
20	Reeded Glass	+RM 20.00

AJD1 Aluminium Sliding Door



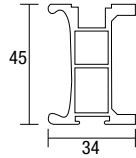
(MOQ Order 15 Sqft / Door)

No	Material	U/Sqft
1	Normal Sand Sticker 215, 216, 217, 218, 219, 220 & White	RM 16.80
2	Special Sticker 231, 601, 660, 670, 892, 323, 324 & 326	+RM 3.00
3	Clear Mirror	+RM 4.00
4	Black Tinted, Brown Tinted & Euro Grey Tinted	+RM 5.00
5	Bronze Mirror, Grey Mirror & Black Mirror	+RM 7.00
6	Bronze Reflective	+RM 20.00
7	Spray Paint Normal Glass Solid Colour	+RM 5.00
8	Spray Paint Normal Glass Metallic Colour	+RM 6.00
9	Extra Clear Glass Normal Sticker	+RM 8.00
10	Extra Clear Glass Special Sticker	+RM 9.00
11	Extra Clear Glass Spray Solid Colour + Sticker	+RM 13.00
12	Extra Clear Glass Spray Metallic Colour + Sticker	+RM 14.00
13	Perforated Panel	+RM 10.00
14	Acrylic Clear Normal Sticker	+RM 9.00
15	Acrylic Clear Special Sticker	+RM 10.00
16	Acrylic Solid White & Black	+RM 11.00
17	Acrylic Clear Spray Solid Colour	+RM 14.00
18	Acrylic Clear Spray Metallic Colour	+RM 15.00
19	Powder Coating	+RM 3.00
20	Reeded Glass	+RM 20.00

Additional Charge

- A) Model: G3, D1, C1, AJP1 = M.O.Q 15 sqft/door
- B) Model: SG19 = M.O.Q 18 sqft/door
- C) < i > Top Track - Double + **RM28.00** nett/meter, < ii > Bottom Track - Double + **RM13.00** nett/meter
- D) < i > Top Track - Single + **RM22.00** nett/meter, < ii > Bottom Track - Single + **RM12.00** nett/meter
- *E) Soft close mechanism + **RM120.00** nett/set
- *F) Heavy duty soft close mechanism **RM160.00** nett/set
- *G) Transport charges to site **RM150**/trip
- *H) Clear Glass Tempered / TG4 Tempered + **RM8.00** nett
- *I) Black, Euro Grey, Brown Tinted Tempered + **RM12.00** nett
- *J) Powder Coat + **RM20.00** nett/meter

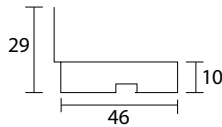
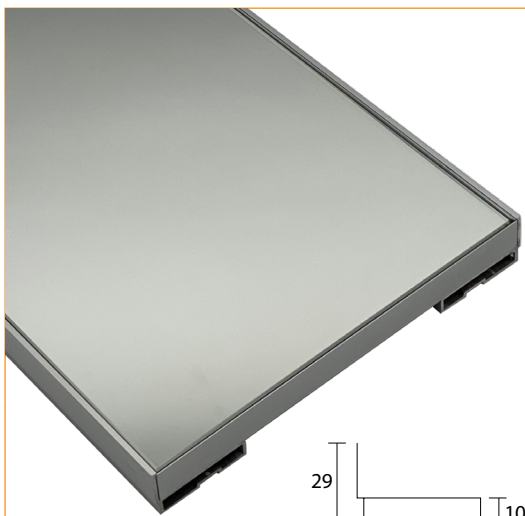
AJC2 Aluminium Sliding Door



(MOQ Order 15 Sqft / Door)

No	Material	U/Sqft
1	Normal Sand Sticker 215, 216, 217, 218, 219, 220 & White	RM 25.00
2	Special Sticker 231, 601, 660, 670, 892, 323, 324 & 326	+RM 3.00
3	Clear Mirror	+RM 4.00
4	Black Tinted, Brown Tinted & Euro Grey Tinted	+RM 5.00
5	Bronze Mirror, Grey Mirror & Black Mirror	+RM 7.00
6	Bronze Reflective	+RM 20.00
7	Spray Paint Normal Glass Solid Colour	+RM 5.00
8	Spray Paint Normal Glass Metallic Colour	+RM 6.00
9	Extra Clear Glass Normal Sticker	+RM 8.00
10	Extra Clear Glass Special Sticker	+RM 9.00
11	Extra Clear Glass Spray Solid Colour + Sticker	+RM 13.00
12	Extra Clear Glass Spray Metallic Colour + Sticker	+RM 14.00
13	Perforated Panel	+RM 10.00
14	Acrylic Clear Normal Sticker	+RM 9.00
15	Acrylic Clear Special Sticker	+RM 10.00
16	Acrylic Solid White & Black	+RM 11.00
17	Acrylic Clear Spray Solid Colour	+RM 14.00
18	Acrylic Clear Spray Metallic Colour	+RM 15.00
19	Powder Coating	+RM 3.00
20	Reeded Glass	+RM 20.00

AJP1 Aluminium Sliding Door



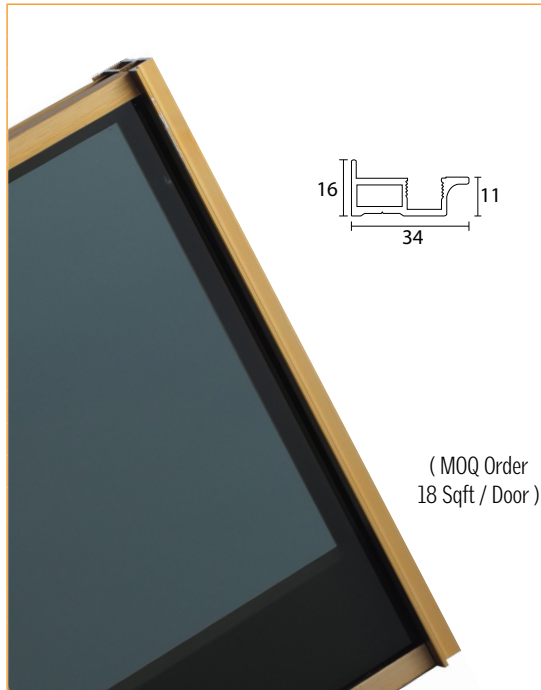
(MOQ Order 15 Sqft / Door)

No	Material	U/Sqft
1	Clear Mirror, Spray Paint Normal Glass Solid Colour	RM 45.00
2	Spray Paint Normal Glass Metallic Colour	+RM 1.00
3	Bronze Mirror, Grey Mirror, Black Mirror	+RM 7.00
4	Extra Clear Glass Spray Solid Colour	+RM 6.00
5	Extra Clear Glass Spray Metallic Colour	+RM 7.00
6	Special Spray Paint Normal Glass Solid Colour	+RM 3.00
7	Special Spray Paint Normal Glass Metallic Colour	+RM 4.00
8	Special Spray Paint Extra Clear Glass Solid Colour	+RM 7.00
9	Special Spray Paint Extra Clear Glass Metallic Colour	+RM 8.00
10	Special Spray Paint Black/ Brown/ Euro Grey Tinted	+RM 9.00
11	Reeded Glass	+RM 20.00

Additional Charge

- A) Model: G3, D1, C1, AJP1 = M.O.Q 15 sqft/door
- B) Model: SG19 = M.O.Q 18 sqft/door
- C) < i > Top Track - Double + **RM28.00** nett/meter, < ii > Bottom Track - Double + **RM13.00** nett/meter
- D) < i > Top Track - Single + **RM22.00** nett/meter, < ii > Bottom Track - Single + **RM12.00** nett/meter
- *E) Soft close mechanism + **RM120.00** nett/set
- *F) Heavy duty soft close mechanism **RM160.00** nett/set
- *G) Transport charges to site **RM150**/trip
- *H) Clear Glass Tempered / TG4 Tempered + **RM8.00** nett
- *I) Black, Euro Grey, Brown Tinted Tempered + **RM12.00** nett
- *J) Powder Coat + **RM20.00** nett/meter

SG19 Aluminium Sliding Door

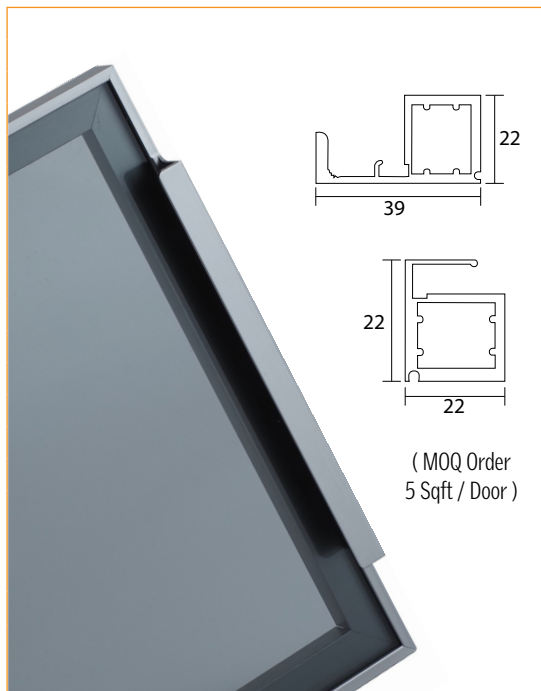


No	Material	U/Sqft
1	Normal Sand Sticker 215, 216, 217, 218, 219, 220 & White	RM 30.00
2	Special Sticker 231, 601, 660, 670, 892, 323, 324 & 326	+RM 3.00
3	Clear Mirror	+RM 4.00
4	Black Tinted, Brown Tinted & Euro Grey Tinted	+RM 5.00
5	Bronze Mirror, Grey Mirror & Black Mirror	+RM 7.00
6	Bronze Reflective	+RM 20.00
7	Spray Paint Normal Glass Solid Colour	+RM 5.00
8	Spray Paint Normal Glass Metallic Colour	+RM 6.00
9	Extra Clear Glass Normal Sticker	+RM 8.00
10	Extra Clear Glass Special Sticker	+RM 9.00
11	Extra Clear Glass Spray Solid Colour + Sticker	+RM 13.00
12	Extra Clear Glass Spray Metallic Colour + Sticker	+RM 14.00
13	Perforated Panel	+RM 10.00
14	Acrylic Clear Normal Sticker	+RM 9.00
15	Acrylic Clear Special Sticker	+RM 10.00
16	Acrylic Solid White & Black	+RM 11.00
17	Acrylic Clear Spray Solid Colour	+RM 14.00
18	Acrylic Clear Spray Metallic Colour	+RM 15.00
19	Powder Coating	+RM 3.00
20	Reeded Glass	+RM 20.00

Additional Charge

- A) Model: G3, D1, C1, AJP1 = M.O.Q 15 sqft/door
 B) Model: SG19 = M.O.Q 18 sqft/door
 C) < i > Top Track - Double + **RM28.00** nett/meter,
 < ii > Bottom Track - Double + **RM13.00** nett/meter
 D) < i > Top Track - Single + **RM22.00** nett/meter,
 < ii > Bottom Track - Single + **RM12.00** nett/meter
 *E) Soft close mechanism + **RM120.00** nett/set
 *F) Heavy duty soft close mechanism **RM160.00** nett/set
 *G) Transport charges to site **RM150**/trip
 *H) Clear Glass Tempered / TG4 Tempered + **RM8.00** nett
 *I) Black, Euro Grey, Brown Tinted Tempered + **RM12.00** nett
 *J) Powder Coat + **RM20.00** nett/meter

GM5 Aluminium Swing Door

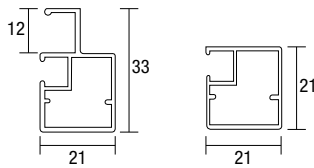


No	Material	U/Sqft
1	Normal Sand Sticker 215, 216, 217, 218, 219, 220 & White	RM 47.00
2	Special Sticker 231, 601, 660, 670, 892, 323, 324 & 326	+RM 3.00
3	Clear Mirror	+RM 4.00
4	Black Tinted, Brown Tinted & Euro Grey Tinted	+RM 5.00
5	Bronze Mirror, Grey Mirror & Black Mirror	+RM 7.00
6	Bronze Reflective	+RM 20.00
7	Spray Paint Normal Glass Solid Colour	+RM 5.00
8	Spray Paint Normal Glass Metallic Colour	+RM 6.00
9	Extra Clear Glass Normal Sticker	+RM 8.00
10	Extra Clear Glass Special Sticker	+RM 9.00
11	Extra Clear Glass Spray Solid Colour + Sticker	+RM 13.00
12	Extra Clear Glass Spray Metallic Colour + Sticker	+RM 14.00
13	Perforated Panel	+RM 10.00
14	Acrylic Clear Normal Sticker	+RM 9.00
15	Acrylic Clear Special Sticker	+RM 10.00
16	Acrylic Solid White & Black	+RM 11.00
17	Acrylic Clear Spray Solid Colour	+RM 14.00
18	Acrylic Clear Spray Metallic Colour	+RM 15.00
19	Powder Coating	+RM 5.00
20	Reeded Glass	+RM 20.00

Additional Charge

- A) Model: GM5 = M.O.Q 5 sqft/door
 B) Model: 250, M3X, P1, P2, P5, P7, P9 = M.O.Q. 2 sqft/door
 *C) Model: 250 soft close hinge + **RM4.00** nett/pc
 *D) Model: 250 black colour soft close hinge + **RM5.00** nett/pc
 *E) 296 sliding rollet set + **RM10.00** nett/door
 *F) 380 sliding roller set + **RM10.00** nett/door
 G) 380 Top & Bottom track (Double) + **RM22.00** nett/meter
 H) 380 Top & Bottom track (Single) + **RM10.00** nett/meter
 I) Special matching colour below 30 sqft charges **RM100.00** nett
 *J) Transport charges to site **RM150**/trip
 *K) Clear Glass Tempered / TG4 Tempered + **RM8.00** nett
 *L) Black, Euro Grey, Brown Tinted Tempered + **RM12.00** nett
 M) GM5 2/8 Soft Close Hinge Black Colour = **RM13.00** nett/pc
 *N) Powder Coat + **RM20.00** nett/meter

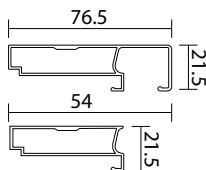
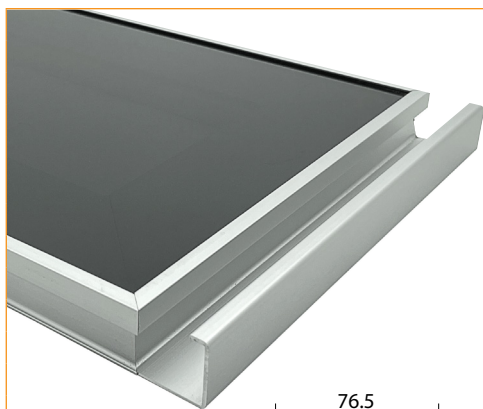
250 Aluminium Swing Door



(MOQ Order 2 Sqft / Door)

No	Material	U/Sqft
1	Normal Sand Sticker 215, 216, 217, 218, 219, 220 & White	RM 25.00
2	Special Sticker 231, 601, 660, 670, 892, 323, 324 & 326	+RM 3.00
3	Clear Mirror	+RM 4.00
4	Black Tinted, Brown Tinted & Euro Grey Tinted	+RM 5.00
5	Bronze Mirror, Grey Mirror & Black Mirror	+RM 7.00
6	Bronze Reflective	+RM 20.00
7	Spray Paint Normal Glass Solid Colour	+RM 5.00
8	Spray Paint Normal Glass Metallic Colour	+RM 6.00
9	Extra Clear Glass Normal Sticker	+RM 8.00
10	Extra Clear Glass Special Sticker	+RM 9.00
11	Extra Clear Glass Spray Solid Colour + Sticker	+RM 13.00
12	Extra Clear Glass Spray Metallic Colour + Sticker	+RM 14.00
13	Perforated Panel	+RM 10.00
14	Acrylic Clear Normal Sticker	+RM 9.00
15	Acrylic Clear Special Sticker	+RM 10.00
16	Acrylic Solid White & Black	+RM 11.00
17	Acrylic Clear Spray Solid Colour	+RM 14.00
18	Acrylic Clear Spray Metallic Colour	+RM 15.00
19	Powder Coating	+RM 3.00
20	Reeded Glass	+RM 20.00

M3X Aluminium Swing Door



(MOQ Order 2 Sqft / Door)

No	Material	U/Sqft
1	Normal Sand Sticker 215, 216, 217, 218, 219, 220 & White	RM 25.00
2	Special Sticker 231, 601, 660, 670, 892, 323, 324 & 326	+RM 3.00
3	Clear Mirror	+RM 4.00
4	Black Tinted, Brown Tinted & Euro Grey Tinted	+RM 5.00
5	Bronze Mirror, Grey Mirror & Black Mirror	+RM 7.00
6	Bronze Reflective	+RM 20.00
7	Spray Paint Normal Glass Solid Colour	+RM 5.00
8	Spray Paint Normal Glass Metallic Colour	+RM 6.00
9	Extra Clear Glass Normal Sticker	+RM 8.00
10	Extra Clear Glass Special Sticker	+RM 9.00
11	Extra Clear Glass Spray Solid Colour + Sticker	+RM 13.00
12	Extra Clear Glass Spray Metallic Colour + Sticker	+RM 14.00
13	Perforated Panel	+RM 10.00
14	Acrylic Clear Normal Sticker	+RM 9.00
15	Acrylic Clear Special Sticker	+RM 10.00
16	Acrylic Solid White & Black	+RM 11.00
17	Acrylic Clear Spray Solid Colour	+RM 14.00
18	Acrylic Clear Spray Metallic Colour	+RM 15.00
19	Powder Coating	+RM 3.00
20	Reeded Glass	+RM 20.00

Additional Charge

A) Model: GM5 = M.O.Q 5 sqft/door

B) Model: 250, M3X, P1, P2, P5, P7, P9 = M.O.Q. 2 sqft/door

*C) Model: 250 soft close hinge + **RM4.00** nett/pc

*D) Model: 250 black colour soft close hinge + **RM5.00** nett/pc

*E) 296 sliding rollet set + **RM10.00** nett/door

*F) 380 sliding roller set + **RM10.00** nett/door

G) 380 Top & Bottom track (Double) + **RM22.00** nett/meter

H) 380 Top & Bottom track (Single) + **RM10.00** nett/meter

I) Special matching colour below 30 sqft charges **RM100.00** nett

*J) Transport charges to site **RM150**/trip

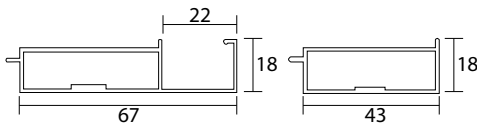
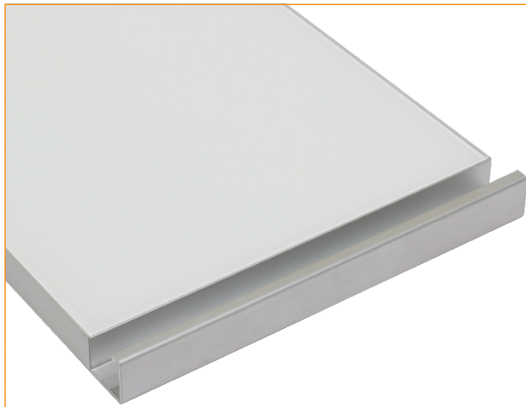
*K) Clear Glass Tempered / TG4 Tempered + **RM8.00** nett

*L) Black, Euro Grey, Brown Tinted Tempered + **RM12.00** nett

M) GM5 2/8 Soft Close Hinge Black Colour = **RM13.00** nett/pc

*N) Powder Coat + **RM20.00** nett/meter

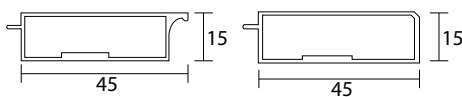
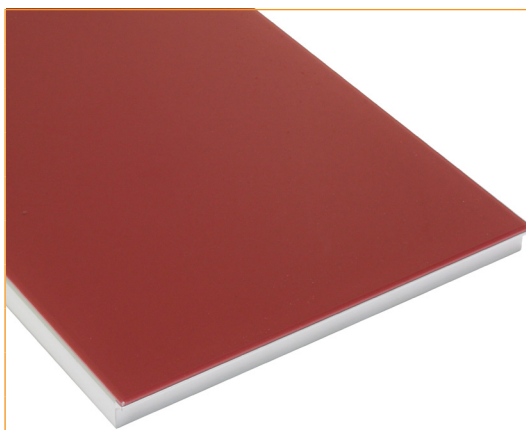
Premium 1 Aluminium Swing Door



(MOQ Order 2 Sqft / Door)

No	Material	U/Sqft
1	Clear Mirror, Spray Paint Normal Glass Solid Colour	RM 35.00
2	Spray Paint Normal Glass Metallic Colour	+RM 1.00
3	Bronze Mirror, Grey Mirror, Black Mirror	+RM 7.00
4	Extra Clear Glass Spray Solid Colour	+RM 4.00
5	Extra Clear Glass Spray Metallic Colour	+RM 5.00
6	Special Spray Paint Normal Glass Solid Colour	+RM 3.00
7	Special Spray Paint Normal Glass Metallic Colour	+RM 4.00
8	Special Spray Paint Extra Clear Glass Solid Colour	+RM 7.00
9	Special Spray Paint Extra Clear Glass Metallic Colour	+RM 8.00
10	Special Spray Paint Black / Brown / Euro Grey Tinted	+RM 7.00
11	Powder Coating	+RM 3.00
12	Acrylic Solid, White & Black	+RM 7.00
13	Acrylic Clear Spray Solid Colour	+RM 11.00
14	Acrylic Clear Spray Metallic Colour	+RM 12.00
15	Reeded Glass	+RM 20.00

Premium 2 Aluminium Swing Door



(MOQ Order 2 Sqft / Door)

No	Material	U/Sqft
1	Clear Mirror, Spray Paint Normal Glass Solid Colour	RM 35.00
2	Spray Paint Normal Glass Metallic Colour	+RM 1.00
3	Bronze Mirror, Grey Mirror, Black Mirror	+RM 7.00
4	Extra Clear Glass Spray Solid Colour	+RM 4.00
5	Extra Clear Glass Spray Metallic Colour	+RM 5.00
6	Special Spray Paint Normal Glass Solid Colour	+RM 3.00
7	Special Spray Paint Normal Glass Metallic Colour	+RM 4.00
8	Special Spray Paint Extra Clear Glass Solid Colour	+RM 7.00
9	Special Spray Paint Extra Clear Glass Metallic Colour	+RM 8.00
10	Special Spray Paint Black / Brown / Euro Grey Tinted	+RM 7.00
11	Powder Coating	+RM 3.00
12	Acrylic Solid, White & Black	+RM 7.00
13	Acrylic Clear Spray Solid Colour	+RM 11.00
14	Acrylic Clear Spray Metallic Colour	+RM 12.00
15	Reeded Glass	+RM 20.00

Additional Charge

A) Model: GM5 = M.O.Q 5 sqft/door

B) Model: 250, M3X, P1, P2, P5, P7, P9 = M.O.Q. 2 sqft/door

*C) Model: 250 soft close hinge + **RM4.00** nett/pc

*D) Model: 250 black colour soft close hinge + **RM5.00** nett/pc

*E) 296 sliding rollet set + **RM10.00** nett/door

*F) 380 sliding roller set + **RM10.00** nett/door

G) 380 Top & Bottom track (Double) + **RM22.00** nett/meter

H) 380 Top & Bottom track (Single) + **RM10.00** nett/meter

I) Special matching colour below 30 sqft charges **RM100.00** nett

*J) Transport charges to site **RM150**/trip

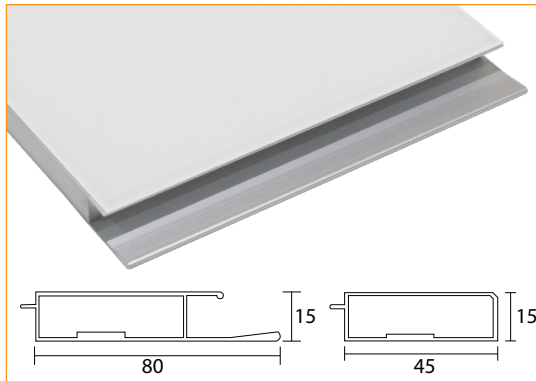
*K) Clear Glass Tempered / TG4 Tempered + **RM8.00** nett

*L) Black, Euro Grey, Brown Tinted Tempered + **RM12.00** nett

M) GM5 2/8 Soft Close Hinge Black Colour = **RM13.00** nett/pc

*N) Powder Coat + **RM20.00** nett/meter

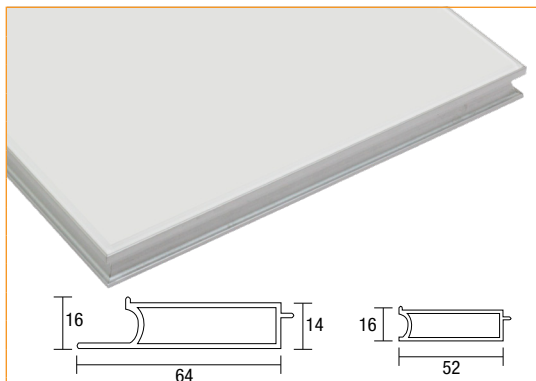
Premium 5 Aluminium Swing Door



(MOQ Order 2 Sqft / Door)

No	Material	U/Sqft
1	Clear Mirror, Spray Paint Normal Glass Solid Colour	RM 35.00
2	Spray Paint Normal Glass Metallic Colour	+RM 1.00
3	Bronze Mirror, Grey Mirror, Black Mirror	+RM 7.00
4	Extra Clear Glass Spray Solid Colour	+RM 4.00
5	Extra Clear Glass Spray Metallic Colour	+RM 5.00
6	Special Spray Paint Normal Glass Solid Colour	+RM 3.00
7	Special Spray Paint Normal Glass Metallic Colour	+RM 4.00
8	Spray Paint Extra Clear Glass Solid Colour	+RM 7.00
9	Special Spray Paint Extra Clear Glass Metallic Colour	+RM 8.00
10	Special Spray Paint Black / Brown / Euro Grey Tinted	+RM 7.00
11	Powder Coating	+RM 3.00
12	Acrylic Solid, White & Black	+RM 7.00
13	Acrylic Clear Spray Solid Colour	+RM 11.00
14	Acrylic Clear Spray Metallic Colour	+RM 12.00
15	Reeded Glass	+RM 20.00

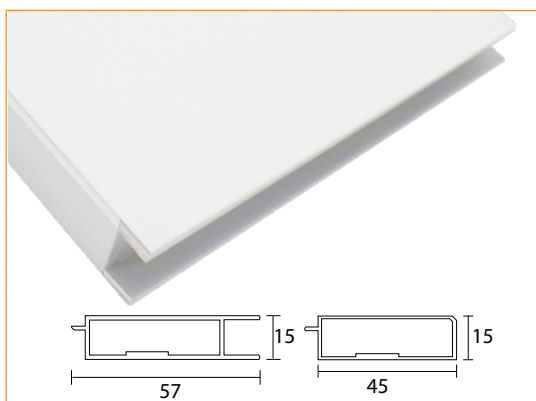
Premium 7 Aluminium Swing Door



(MOQ Order 2 Sqft / Door)

No	Material	U/Sqft
1	Clear Mirror, Spray Paint Normal Glass Solid Colour	RM 35.00
2	Spray Paint Normal Glass Metallic Colour	+RM 1.00
3	Bronze Mirror, Grey Mirror, Black Mirror	+RM 7.00
4	Extra Clear Glass Spray Solid Colour	+RM 4.00
5	Extra Clear Glass Spray Metallic Colour	+RM 5.00
6	Special Spray Paint Normal Glass Solid Colour	+RM 3.00
7	Special Spray Paint Normal Glass Metallic Colour	+RM 4.00
8	Spray Paint Extra Clear Glass Solid Colour	+RM 7.00
9	Special Spray Paint Extra Clear Glass Metallic Colour	+RM 8.00
10	Special Spray Paint Black / Brown / Euro Grey Tinted	+RM 7.00
11	Powder Coating	+RM 3.00
12	Acrylic Solid, White & Black	+RM 7.00
13	Acrylic Clear Spray Solid Colour	+RM 11.00
14	Acrylic Clear Spray Metallic Colour	+RM 12.00
15	Reeded Glass	+RM 20.00

Premium 9 Aluminium Swing Door



(MOQ Order 2 Sqft / Door)

No	Material	U/Sqft
1	Clear Mirror, Spray Paint Normal Glass Solid Colour	RM 35.00
2	Spray Paint Normal Glass Metallic Colour	+RM 1.00
3	Bronze Mirror, Grey Mirror, Black Mirror	+RM 7.00
4	Extra Clear Glass Spray Solid Colour	+RM 4.00
5	Extra Clear Glass Spray Metallic Colour	+RM 5.00
6	Special Spray Paint Normal Glass Solid Colour	+RM 3.00
7	Special Spray Paint Normal Glass Metallic Colour	+RM 4.00
8	Spray Paint Extra Clear Glass Solid Colour	+RM 7.00
9	Special Spray Paint Extra Clear Glass Metallic Colour	+RM 8.00
10	Special Spray Paint Black / Brown / Euro Grey Tinted	+RM 7.00
11	Powder Coating	+RM 3.00
12	Acrylic Solid, White & Black	+RM 7.00
13	Acrylic Clear Spray Solid Colour	+RM 11.00
14	Acrylic Clear Spray Metallic Colour	+RM 12.00
15	Reeded Glass	+RM 20.00

Additional Charge

A) Model: GM5 = M.O.Q 5 sqft/door

B) Model: 250, M3X, P1, P2, P5, P7, P9 = M.O.Q. 2 sqft/door

*C) Model: 250 soft close hinge + **RM4.00** nett/pc

*D) Model: 250 black colour soft close hinge + **RM5.00** nett/pc

*E) 296 sliding rollet set + **RM10.00** nett/door

*F) 380 sliding roller set + **RM10.00** nett/door

G) 380 Top & Bottom track (Double) + **RM22.00** nett/meter

H) 380 Top & Bottom track (Single) + **RM10.00** nett/meter

I) Special matching colour below 30 sqft charges **RM100.00** nett

*J) Transport charges to site **RM150**/trip


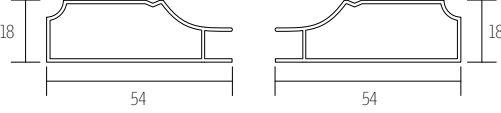
*K) Clear Glass Tempered / TG4 Tempered + **RM8.00** nett

*L) Black, Euro Grey, Brown Tinted Tempered + **RM12.00** nett


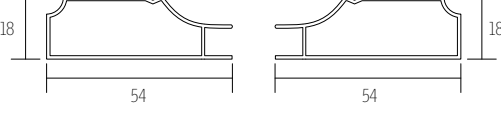
M) GM5 2/8 Soft Close Hinge Black Colour = **RM13.00** nett/pc

*N) Powder Coat + **RM20.00** nett/meter

J-27 Aluminium Swing Door

  (MOQ Order 2.5 Sqft / Door)	No	Material	U/Sqft
	1	Clear Glass Original CP White	RM 35.00
	2	Honeycomb Panel Flat	+RM 4.00
	3	Clear Mirror	+RM 3.00
	4	Black Tinted, Bronze Tinted, Euro Grey Glass	+RM 4.00
	5	Bronze Reflective	+RM 18.00
	6	Spray Solid Colour 6 Side	+RM 20.00
	7	Spray Antique Colour 6 Side	+RM 30.00
	8	Powder Coating	+RM 10.00
	9	Powder Coating GOLD / SILVER / ROSE GOLD	+RM 15.00

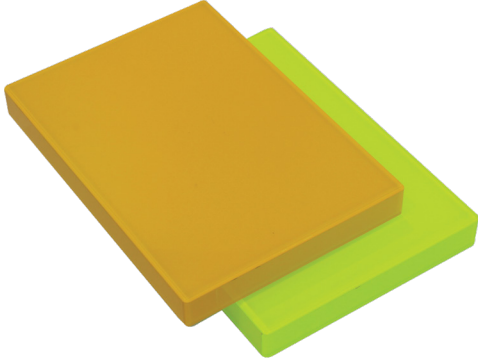
J-27 Louvres Aluminium Swing Door

  (MOQ Order 2.5 Sqft / Door)	No	Material	U/Sqft
	1	Clear Glass Original CP White	RM 55.00
	2	Spray Solid Colour 6 Side	+RM 20.00
	3	Spray Antique Colour 6 Side	+RM 30.00
	4	Powder Coating	+RM 10.00
5	Powder Coating GOLD / SILVER / ROSE GOLD	+RM 15.00	

Additional Charge

- A) Model: J-27, J-27 Louvres = M.O.Q 2.5 sqft/door
- B) Clear Glass TEMPERED + **RM8.00**
- C) Black, Euro Black, Brown Tinted TEMPERED + **RM12.00**
- D) Special matching colour < 32 sqft + **RM100.00** Nett
- *E) Transportation charges to site **RM150** / Trip
- *F) Price may vary without prior notice

Acrylic Door Panel

No	Crystal Team Colour					5 Side	6 Side
1	3001	3092	3202	3313	3566	RM 33.50	RM 49.50
	3002	3101	3210	3333	3588		
	3008	3123	3223	3344	3606		
	3011	3131	3252	3388	3636		
	3030	3151	3286	3456	3666		
	3050	3168	3300	3500	3678		
2	1011	1212	1300	1477	RM 35.50	RM 50.50	
	1033	1288	1399				
3	5001	5353			RM 38.50	RM 53.50	
4	Crystal Team Matt White, Crystal Team Matt Black					RM 37.50	RM 53.50

Additional Charge :

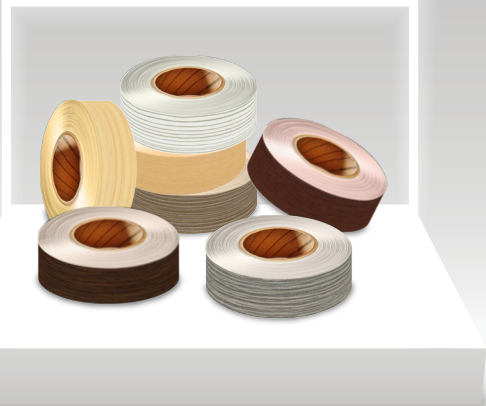
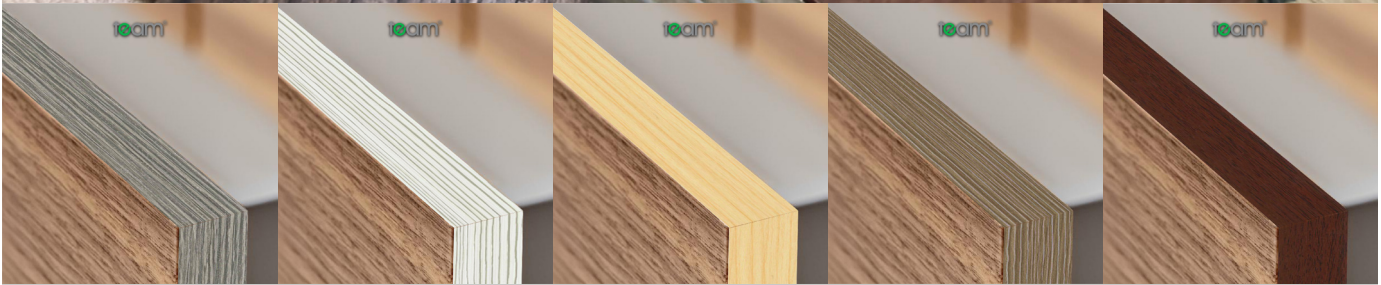
- 1) Aluminium G Handle + **RM 0.60**/inch
- 2) 35° Slope Handle + **RM 0.60**/inch
- 3) Hinge Hole - F.O.C
- 4) Additional 1 Side acrylic + **RM 20-30**/sqft (Min 1 sqft)
- 5) Corner Infill + **RM 50.00**/Set

- 6) Minimum Charges per door / Panel - 2 sqft
- 7) for special colour below 30 sqft, additional charge **RM 100.00** per order

Remark : Door Thickness 20mm +-

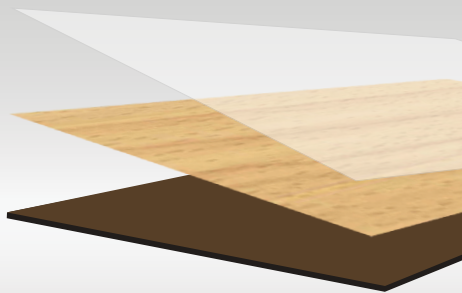
* All the measurement by millimeter (mm)

Edge Banding



Structural Variations

- Special lacquering
- Printed layer
- Base film with primer



* All the measurement by millimeter (mm)



Website

TEAMMART Sdn. Bhd. 199901018382 (493282-K)

Selangor (HQ)

No.18, Jalan MJ 17, Lake 6 Entrepreneurs Park, Taman Industri Meranti Jaya, 47120 Puchong, Selangor, Malaysia

Tel: +(603) 8601 3888 (Hunting Line) **Fax:** +(603) 8051 2812 (Finance) / +603-5886 0740 (Sales)

HP: +(6019)-302 6122 (Hotline) **Email:** enquiry_teammart@scanteam.com.my **Web:** <https://www.teammart.com.my>

Penang

25 & 27, Lorong Selatan 4, Kaw Perindustrian Valdor, Sg Jawi Mainland, 14200 Valdor, Penang, Malaysia

Tel: +(604) 313 1123 **Fax:** +(604) 313 1123

HP: +(6019)-302 6122 (Hotline) **Email:** enquiry_teammart@scanteam.com.my **Web:** <https://www.teammart.com.my>

Johor

No.7, Lot 9342A, Jalan Perusahaan Kawasan Perindustrian Parit Hulu, Bakri, 84000 Muar, Johor, Malaysia

Tel: +(606) 986 0922 / 986 0933 **Fax:** +(606) 986 0911

HP: +(6019)-302 6122 (Hotline) **Email:** enquiry_teammart@scanteam.com.my **Web:** <https://www.teammart.com.my>



Distributed by :